

SURFACE MOUNT COMMON MODE CHOKE

ALFT-16-xxx



RoHS
Compliant

13.97 x 11.43 x 6.35mm



ELECTRICAL SPECIFICATIONS:

Part Number	OCL ± 20% (μ H)	Leakage Ind (μ H) Typ	Interwind Cap (pF) Typ	DCR 1-2/4-3 (m Ω) Typ	I _{RMS} (A) Max
ALFT-16-1	35	0.31	2.80	5	5.70
ALFT-16-2	54	0.46	3.05	6	5.10
ALFT-16-3	78	0.64	3.30	7	4.75
ALFT-16-4	105	0.85	3.50	10	3.95
ALFT-16-5	175	1.30	3.70	17	3.10
ALFT-16-6	260	1.90	3.90	20	2.85
ALFT-16-7	310	2.20	4.15	27	2.45
ALFT-16-8	420	3.00	4.40	40	2.00
ALFT-16-9	480	3.30	4.65	56	1.70
ALFT-16-10	620	4.20	4.85	76	1.45
ALFT-16-11	780	5.10	5.10	107	1.20
ALFT-16-12	950	6.10	5.35	145	1.05
ALFT-16-13	1250	7.80	5.55	510	0.88
ALFT-16-14	1600	9.60	5.80	300	0.75

ALFT-16-5:

Core: Ferronic 11824-B x2pcs (0.300x0.125x0.060)

Wire: #27 HPN

Turns: 8 turns each side, 130°

RTV-615

OCL, L_L and C_{WW} test @ 100KHz, 0.1V_{RMS}

Turns Ratio: 1 : 1 ± 2% (1-2:3-4)

Polarity: 1 and 4 are in phase

I_{RMS}: Δ T of 40°C Max at ambient T° of 85°C

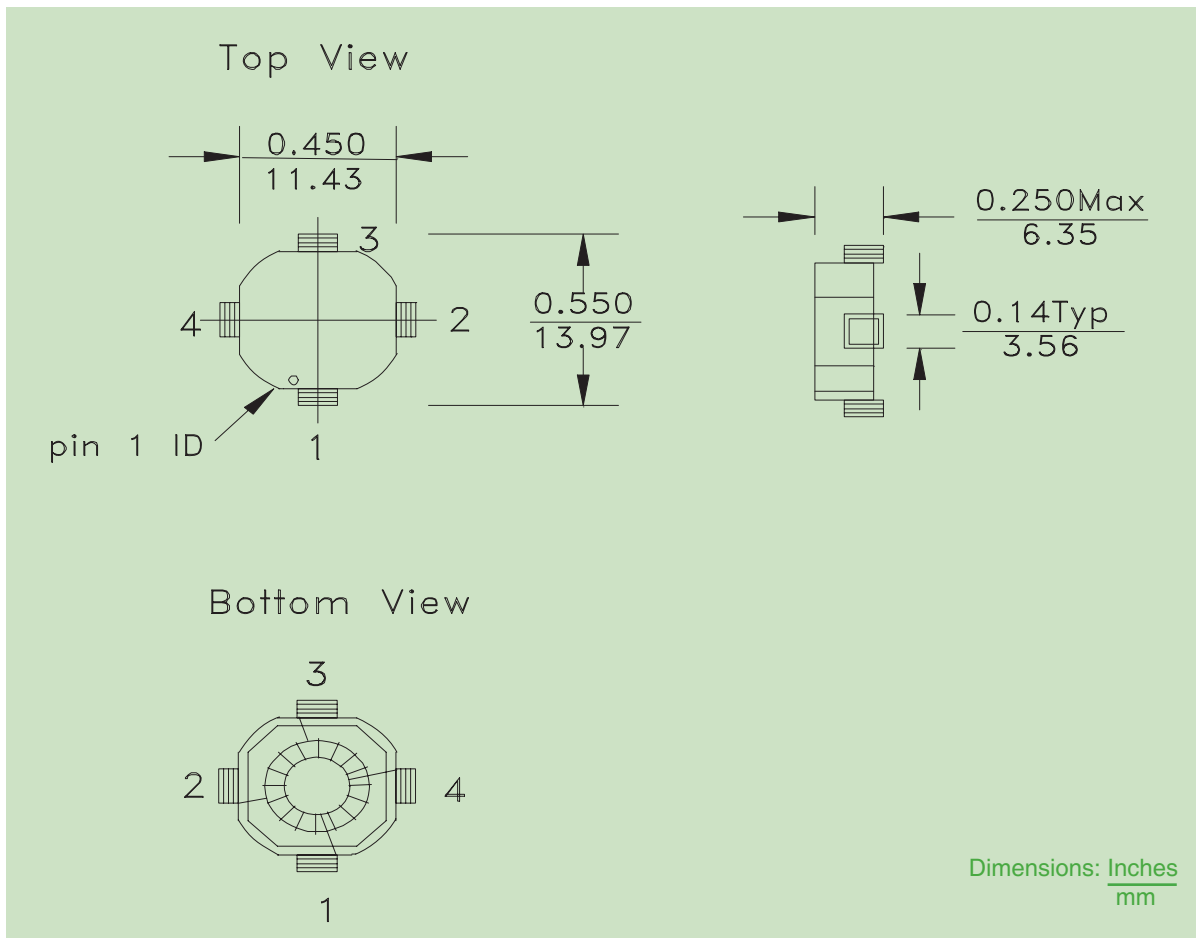
Add -T for tape and reel

Operating temperature: -40°C to +85°C

Hipot: 300V_{DC}, 1 second between windings

RoHS Compliance, effective Date Code 0526, label on reel and box

OUTLINE DRAWING:



SHAANXI GOLD-STONE ELECTRONICS CO.,LTD

Web:www.gsmagnetics.com

Tel:029-85401274

Fax:029-85401274

E-mail:sales@gsmagnetics.com