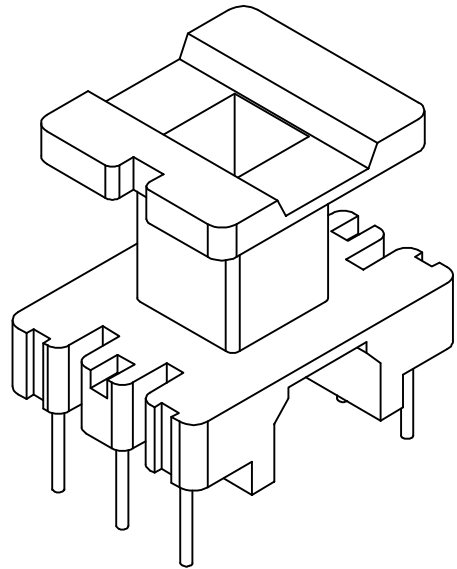
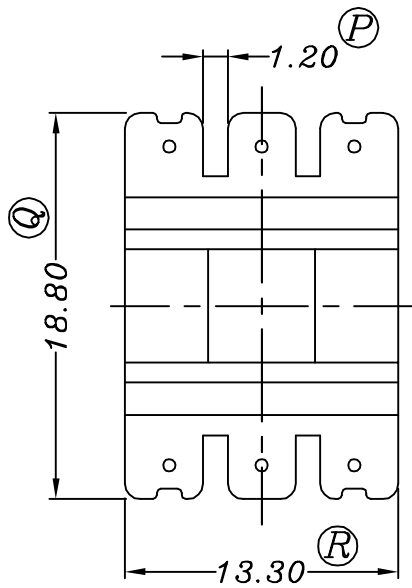
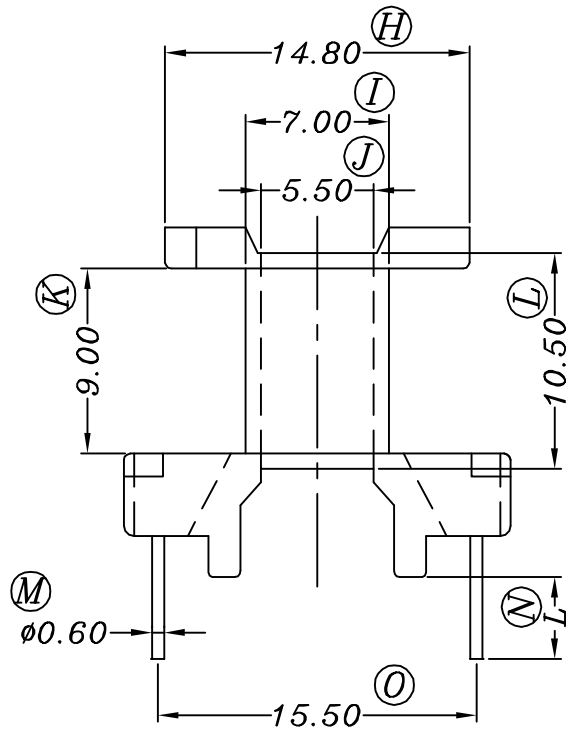
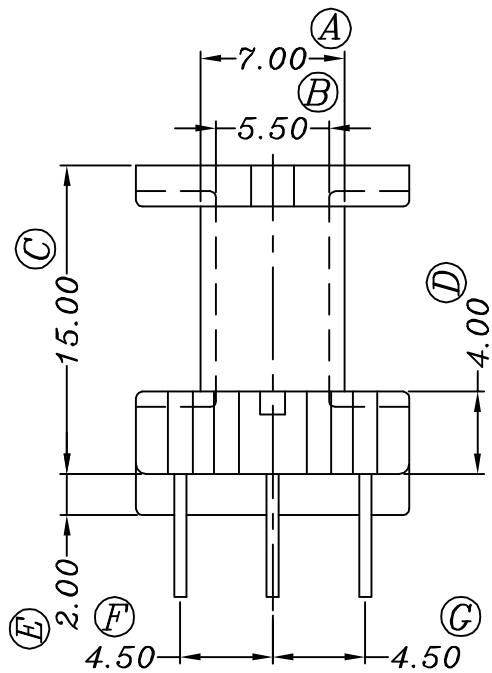


PY-1912



REV	REVISION RECORD	DATE	REV	REVISION RECORD	DATE		
A			C				
B			D				
NAME	EI-19(3+3P)	MATERIAL	PHENOLIC	SCALE	2.5/1	ANGLE	±1°
DRAWING NO.	PY-1912	PIN MATERIAL	CP WIRE	UNIT	m/m	REV	A
TOLERANCE OF PIN PITCH ±0.20				东莞市品悦塑胶制品有限公司 TEL: 0769-86388745 0769-86388746 FAX: 0769-86388749 E-mail: dgpin Yue@163.com			
PIN TENSION LOAD kg MIN		UL REC: 94V-0					
TOLERANCE: 0<L≤4: ±0.2 4<L≤16: ±0.3 16<L≤63: ±0.4							