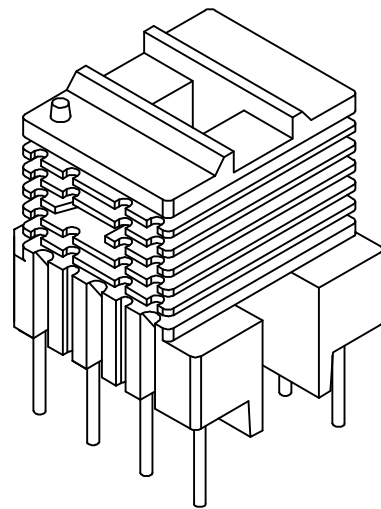
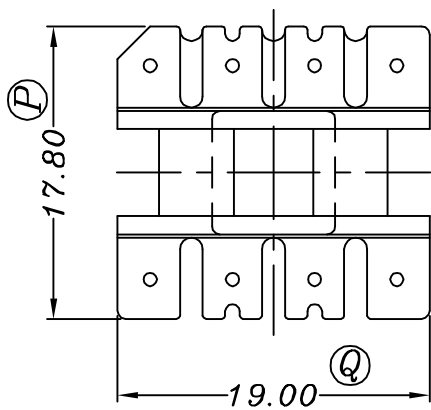
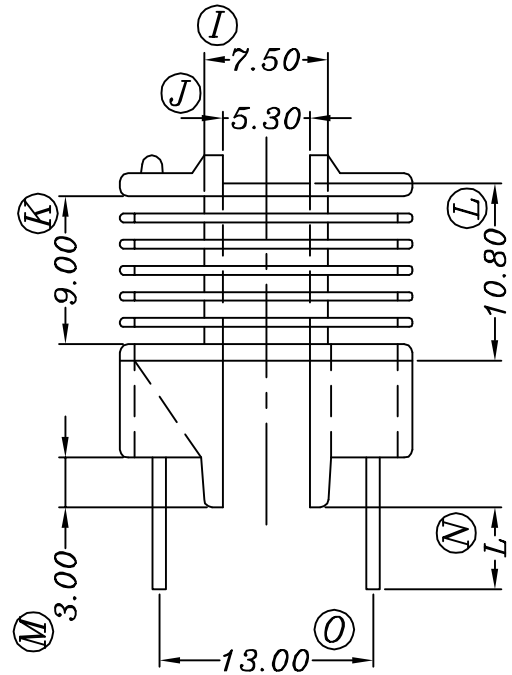
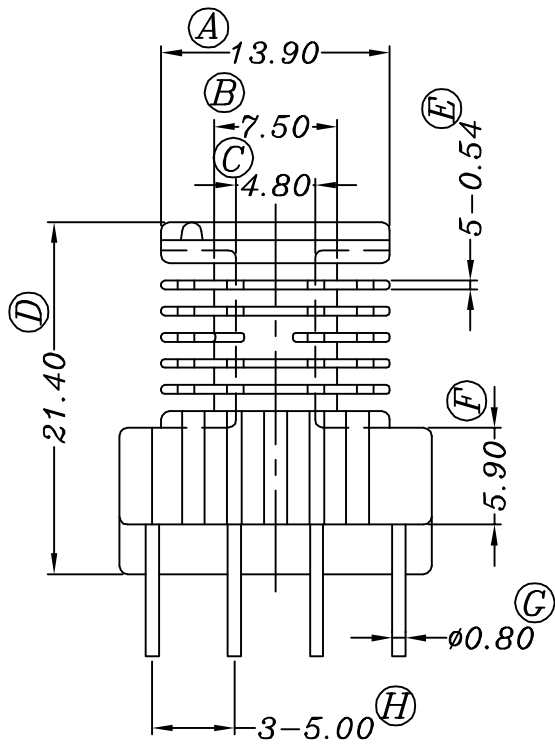


# PY-1910



REV	REVISION RECORD	DATE	REV	REVISION RECORD	DATE		
A			C				
B			D				
NAME	EE-19 (4+4P)	MATERIAL	PLASTIC	SCALE	1.5/1	ANGLE	$\pm 1^\circ$
DRAWING NO.	PY-1910	PIN MATERIAL	CP WIRE	UNIT	m/m	REV	A
TOLERANCE OF PIN PITCH $\pm 0.20$				<b>东莞市品悦塑胶制品有限公司</b> TEL: 0769-86388745 0769-86388746 FAX: 0769-86388749 E-mail: dgpinyue@163.com			
PIN TENSION LOAD kg MIN		UL REC: 94V-0					
TOLERANCE: 0<L≤4: ±0.2 4<L≤16: ±0.3 16<L≤63: ±0.4							