

SMT Shielded Power Inductors GS5022DC

Features (特長)

- Magnetically shielded construction (閉磁路構造設計)
- Compact and thin (輕便薄小)
- Large Current and Low DCR (大電流及低直流阻抗)

Applications (用途)

- Notebook, DC/DC converter, VGA card, Video recorders.
(筆記型電腦、直流轉換器、電腦顯示卡、錄影機)



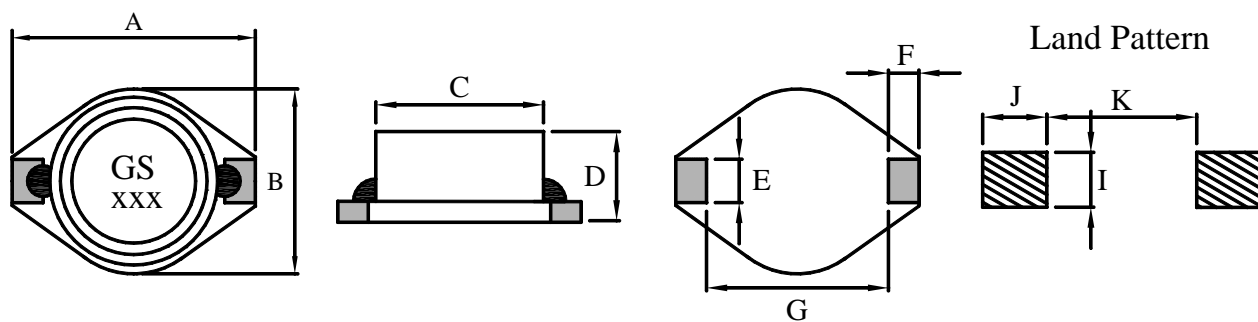
Product Identification (產品識別)

GS5022DC - _____ (Ex. GS5022DC-100M)

1 2 3

1. SMT Shielded Power Inductors (閉磁式功率電感) (GS5022DC)
2. Inductance (電感值)
3. Tolerance (誤差值) (參照表 K 10%, L 15%, M 20%, N 30%)

Configurations & Dimensions (結構圖及規格尺寸)



Unit In mm

Type (型式)	A (max)	B (max)	C ±0.3	D (max)	E ±0.3	F ±0.3	G ±0.3	I	J	K
GS5022DC	18.54	15.24	12.70	7.62	2.54	2.54	12.70	2.79	3.30	12.45

♣ Design as Customer's Requested Specifications. (可依客戶特殊需求設計)

SMT Shielded Power Inductors

GS5022DC

Electrical Characteristics for GS5022DC Series [GS5022DC 系列電子特性規格]

Part Number 產品料號	Inductance (μ H) 電感值 (L)	Test Freq. (KHz) 測試頻率	DCR (Ω) (max) 直流阻抗	IDC (A) (max) 定格電流
GS5022DC -100M	10.00	100	0.040	8.00
GS5022DC -150M	15.00	100	0.048	7.00
GS5022DC -220M	22.00	100	0.059	6.00
GS5022DC -330M	33.00	100	0.075	5.00
GS5022DC -470M	47.00	100	0.097	4.00
GS5022DC -680M	68.00	100	0.138	3.00
GS5022DC -101M	100.00	100	0.207	2.40
GS5022DC -151M	150.00	100	0.293	2.10
GS5022DC -221M	220.00	100	0.470	1.90
GS5022DC -331M	330.00	100	0.780	1.10
GS5022DC -471M	470.00	100	1.080	1.10
GS5022DC -681M	680.00	100	1.400	0.96
GS5022DC -102M	1000.00	100	2.010	0.80

※Test Freq. : 100KHz / 0.1V.

※Operating Temp. : -40°C ~ $+85^{\circ}\text{C}$

※Inductance drop = 10% typ. at IDC.