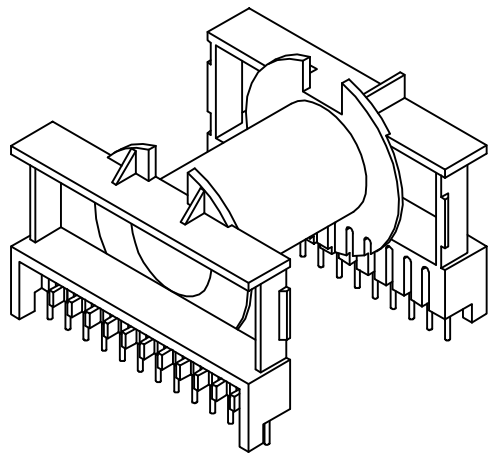
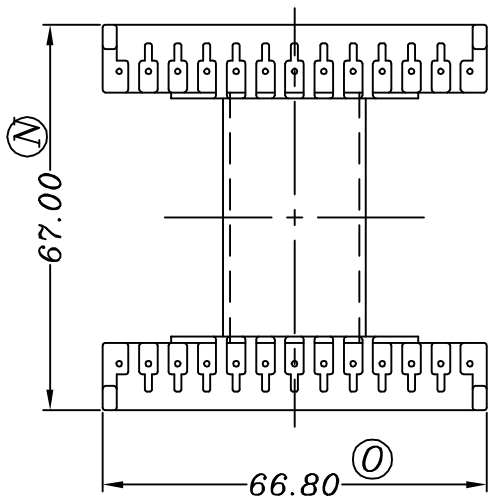
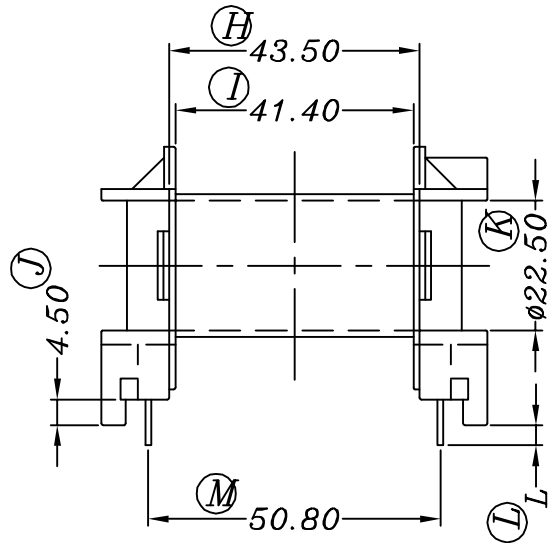
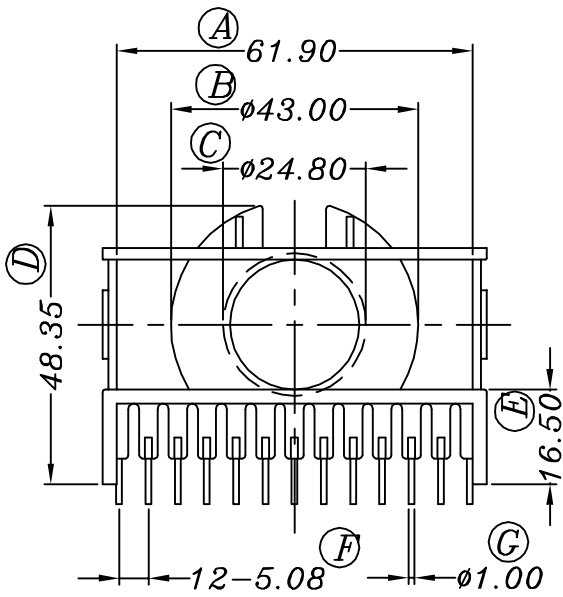


# PY-5901



| REV | REVISION RECORD | DATE | REV | REVISION RECORD | DATE |
|-----|-----------------|------|-----|-----------------|------|
| A   |                 |      | C   |                 |      |
| B   |                 |      | D   |                 |      |

|  |                |               |          |   |       |       |               |
|--|----------------|---------------|----------|---|-------|-------|---------------|
| NAME   | ETD-59(13+13P) | MATERIAL      | PHENOLIC | SCALE   | 0.7/1 | ANGLE | $\pm 1^\circ$ |
| DRAWING NO.  | PY-5901        | PIN MATERIAL  | CP WIRE  | UNIT  | m/m   | REV   | A             |
| TOLERANCE OF PIN PITCH $\pm 0.20$                                |                |               |          | <b>东莞市品悦塑胶制品有限公司</b><br>TEL: 0769-86388745    0769-86388746<br>FAX: 0769-86388749    E-mail: dgpinyue@163.com |       |       |               |
| PIN TENSION LOAD      kg MN                                      |                | UL REC: 94V-0 |          |   |       |       |               |
| TOLERANCE: 0<L≤4: $\pm 0.2$ 4<L≤16: $\pm 0.3$ 16<L≤63: $\pm 0.4$ |                |               |          |   |       |       |               |