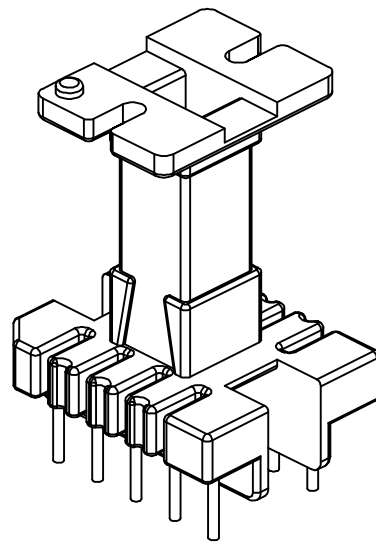
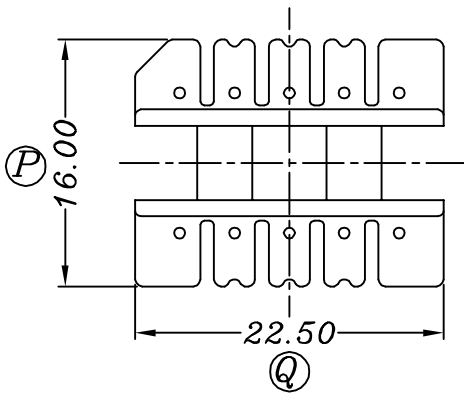
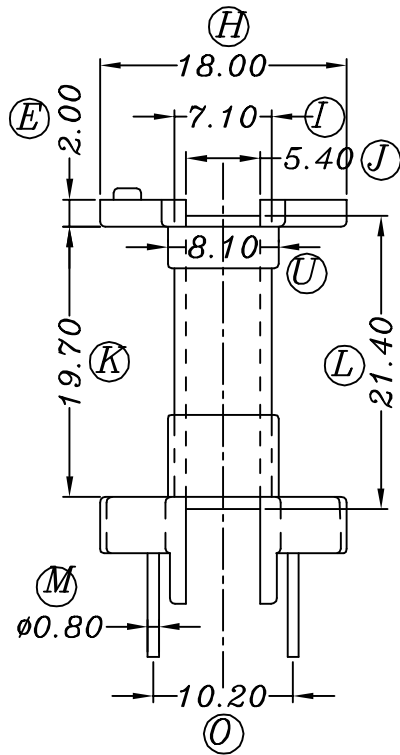
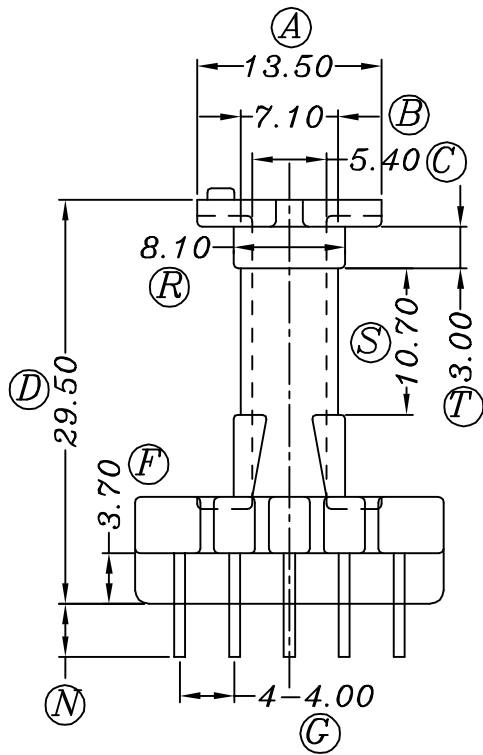


# PY-1911-2



REV	REVISION RECORD	DATE	REV	REVISION RECORD	DATE
A			C		
B			D		

NAME	EEL-19 (5+5P)	MATERIAL	PHENOLIC	SCALE	1/1	ANGLE	$\pm 1^\circ$
DRAWING NO.	PY-1911-2	PIN MATERIAL	CP WIRE	UNIT	m/m	REV	A
TOLERANCE OF PIN PITCH $\pm 0.20$				<b>东莞市品悦塑胶制品有限公司</b> TEL: 0769-86388745 0769-86388746 FAX: 0769-86388749 E-mail: dgpinyue@163.com			
PIN TENSION LOAD kg MN		UL REC: 94V-0					
TOLERANCE: $0 < L \leq 4: \pm 0.2$ $4 < L \leq 16: \pm 0.3$ $16 < L \leq 63: \pm 0.4$							