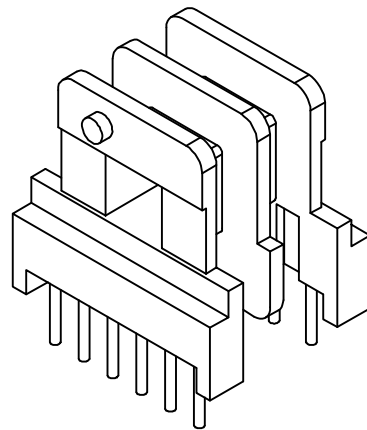
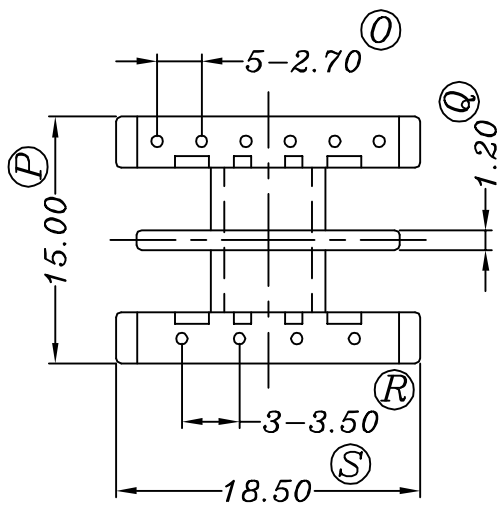
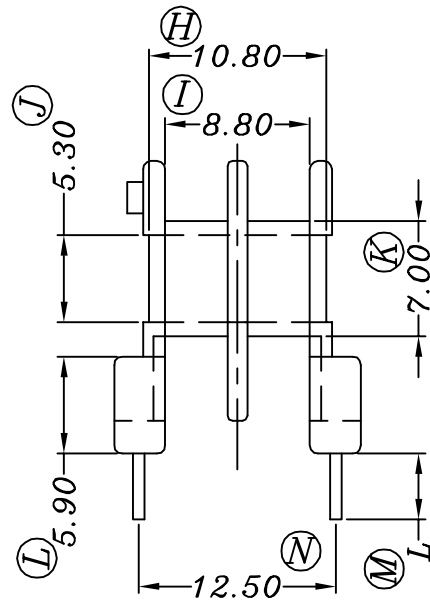
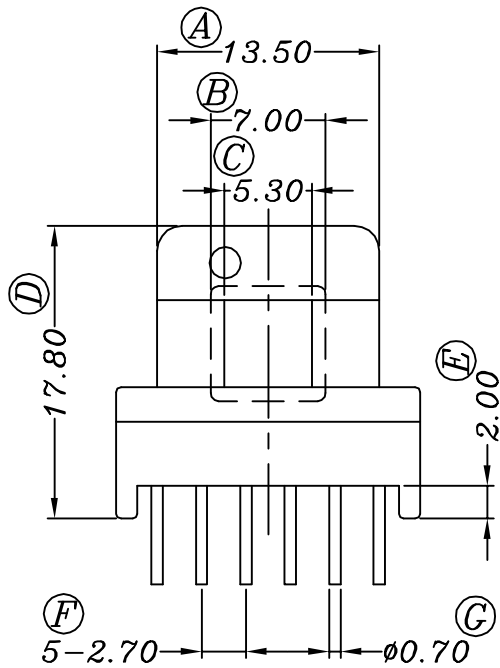


PY-1908



REV	REVISION RECORD	DATE	REV	REVISION RECORD	DATE		
A			C				
B			D				
NAME	EE-19 (4+6P)	MATERIAL	PHENOLIC	SCALE	2/1	ANGLE	$\pm 1^\circ$
DRAWING NO.	PY-1908	PIN MATERIAL	CP WIRE	UNIT	m/m	REV	A
TOLERANCE OF PIN PITCH ± 0.20				东莞市品悦塑胶制品有限公司 TEL: 0769-86388745 0769-86388746 FAX: 0769-86388749 E-mail: dgpin Yue@163.com			
PIN TENSION LOAD kg MN		UL REC: 94V-0					
TOLERANCE: $0 < L \leq 4: \pm 0.2$ $4 < L \leq 16: \pm 0.3$ $16 < L \leq 63: \pm 0.4$							