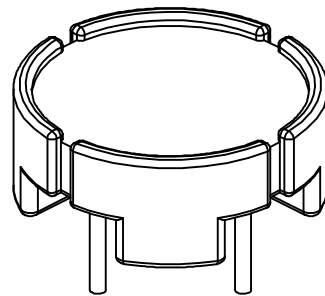
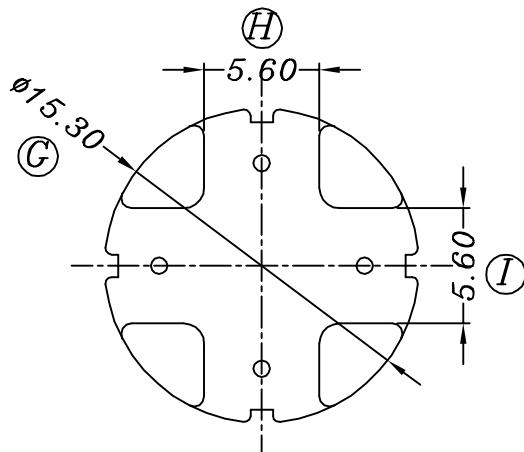
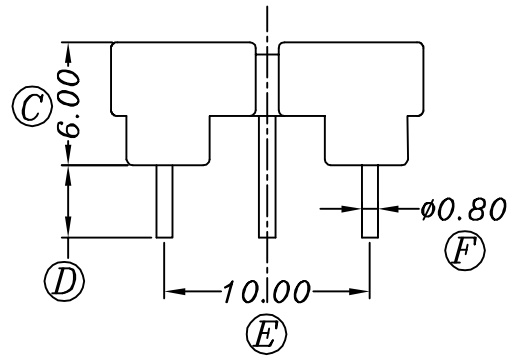
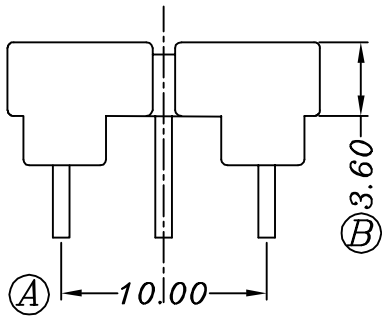


PY-059



REV	REVISION RECORD	DATE	REV	REVISION RECORD	DATE		
A			C				
B			D				
NAME	∅15 BASE 4P	MATERIAL	PHENOLIC	SCALE	1/1	ANGLE	±1°
DRAWING NO.	PY-059	PIN MATERIAL	CP WRE	UNIT	m/m	REV	A
TOLERANCE OF PIN PITCH ±0.20							
PIN TENSION LOAD kg MN		UL REC: 94V-0					
TOLERANCE: 0<L≤4: ±0.2 4<L≤16: ±0.3 16<L≤63: ±0.4							