

Encapsulated Transformers

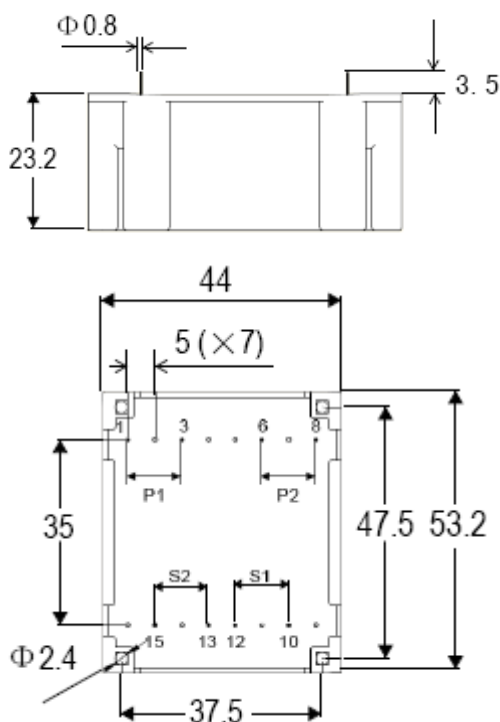
Type: UI30/10

5VA/6VA

- CE approved
- Potted under vacuum
- Dielectric strength—4000Vrms
- High ambient operation temperature(+70°C max)
- Insulation class—Class B(130°C)

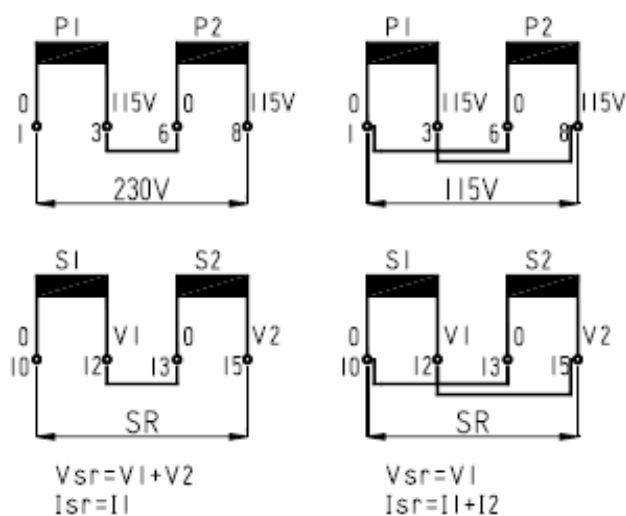


Dimension (mm)



Primary (230V)	Secondary (V/mA)	Power (VA)
UI3010001	2×6/417	5
UI3010002	2×6/500	6
UI3010003	2×9/278	5
UI3010004	2×9/333	6
UI3010005	2×12/208	5
UI3010006	2×12/250	6
UI3010007	2×15/167	5
UI3010008	2×15/200	6
UI3010009	2×18/139	5
UI3010010	2×18/167	6
UI3010011	2×24/104	5
UI3010012	2×24/125	6

Circuit Diagram



Empty pin shall be omitted if necessary

Provide customized transformer