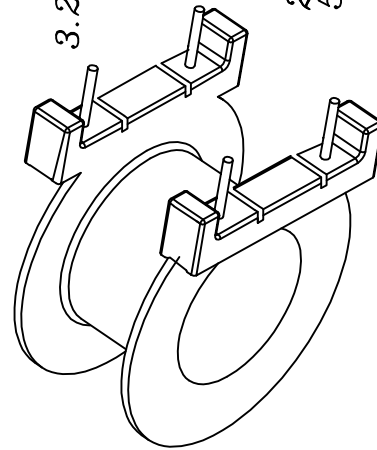
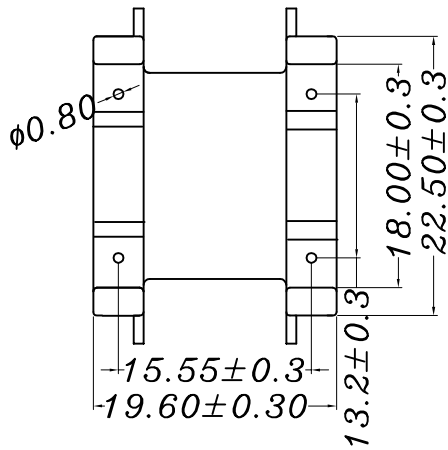
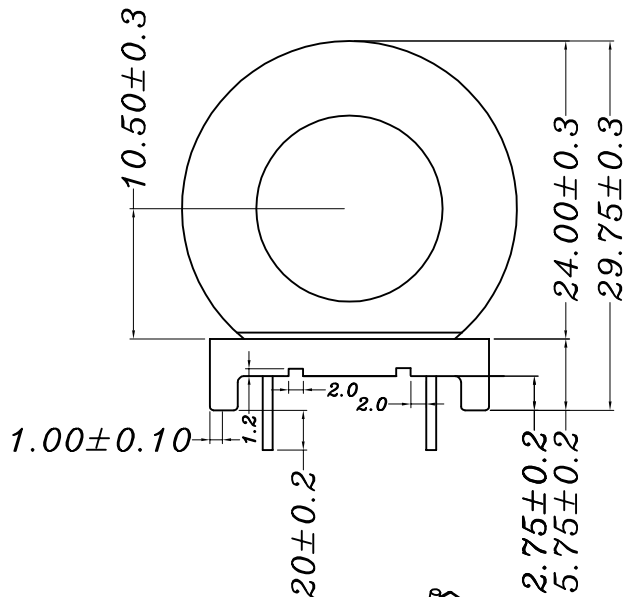
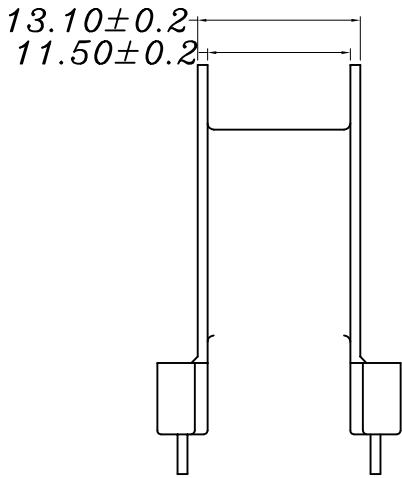


SECTION A-A



REV	REVISION RECORD	DATE	REV	REVISION RECORD	DATE
A			C		
B			D		

NAME	EQ29 (2+2P)	MATERIAL	PM820	SCALE	2/1	ANGLE	$\pm 1^\circ$
DRAWING NO.	GS-2908	PIN MATERIAL	CP WIRE	UNIT	m/m	REV	A
TOLERANCE OF PIN PITCH	± 0.20		GS-2908				
PIN TENSION LOAD	kg MIN	UL REC: 94V-0					
TOLERANCE: 0<L≤4: ±0.2 4<L≤16: ±0.3 16<L≤63: ±0.4							