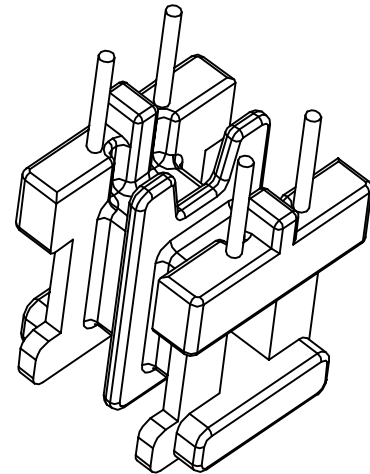
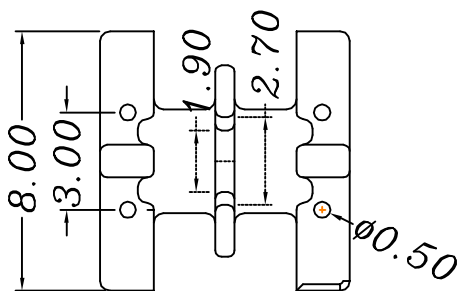
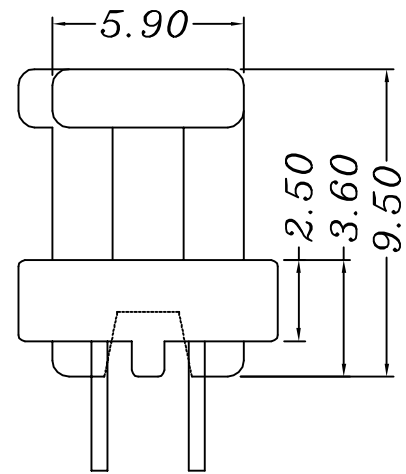
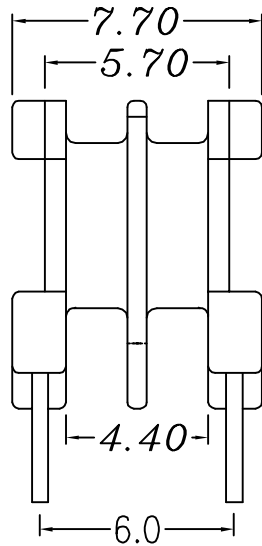
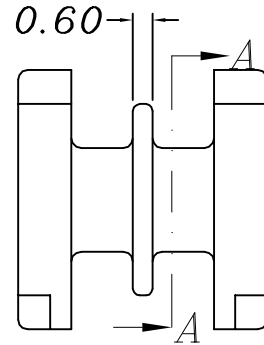


SECTION A-A



REV	REVISION RECORD	DATE	REV	REVISION RECORD	DATE
A			C		
B			D		

NAME	EE8. 3(2+2P)	MATERIAL	PHENOLIC	SCALE	1/1	ANGLE	$\pm 1^\circ$
DRAWING NO.	GS-0811	PIN MATERIAL	CP WIRE	UNIT	m/m	REV	A
TOLERANCE OF PIN PITCH	± 0.20		GS-0811				
PIN TENSION LOAD	kg MN	UL REC: 94V-0					
TOLERANCE: 0<L≤4: ±0.2 4<L≤16: ±0.3 16<L≤63: ±0.4							