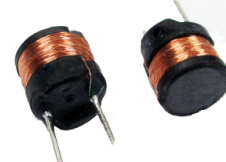


Unshielded Radial Power Inductor

AIUR-07 Series



RoHS/RoHS II Compliant



4.6 x ϕ 6.0 mm

FEATURES:

- Ferrite core
- High Reliability

APPLICATIONS:

- Switching Power Supplies
- Noise Filtering
- DC to DC Converters
- Electronic Household Appliances
- Buzzers and Alarm Systems
- Television and Audio Equipment

STANDARD SPECIFICATIONS:

PARAMETERS

Goldstone P/N:	AIUR-07 Series
Operating temperature:	-55°C to +85°C with full rated current, -55°C ~ +125°C with no load.
Storage temperature:	-40°C to +85°C (in package box)

Part Number	Inductance	Tolerance	Q (Min)	DCR (Max)	Saturation Current (Max)	Temperature Rise Current (Max)	Inductance Code
Units	μ H	%		Ω	A	A	
Symbol	L	K		DCR	Isat	IDC	
AIUR-07-100	10	K	24	0.10	1.5	1.05	100K
AIUR-07-120	12	K	23	0.12	1.4	0.98	120K
AIUR-07-150	15	K	33	0.13	1.3	0.93	150K
AIUR-07-180	18	K	31	0.14	1.1	0.90	180K
AIUR-07-220	22	K	29	0.16	1.0	0.81	220K
AIUR-07-270	27	K	27	0.19	0.9	0.74	270K
AIUR-07-330	33	K	37	0.25	0.8	0.68	330K
AIUR-07-390	39	K	37	0.28	0.5	0.62	390K
AIUR-07-470	47	K	35	0.32	0.7	0.57	470K
AIUR-07-560	56	K	34	0.37	0.6	0.51	560K
AIUR-07-680	68	K	39	0.46	0.6	0.47	680K
AIUR-07-820	82	K	36	0.54	0.5	0.42	820K
AIUR-07-101	100	K	43	0.66	0.5	0.39	101K
AIUR-07-121	120	K	48	0.87	0.4	0.35	121K
AIUR-07-151	150	K	49	1.03	0.4	0.32	151K
AIUR-07-181	180	K	47	1.26	0.4	0.29	181K
AIUR-07-221	220	K	47	1.39	0.3	0.26	221K
AIUR-07-271	270	K	53	2.0	0.3	0.23	271K
AIUR-07-331	330	K	55	2.2	0.3	0.21	331K
AIUR-07-391	390	K	56	2.6	0.2	0.20	391K
AIUR-07-471	470	K	53	3.0	0.2	0.18	471K
AIUR-07-561	560	K	53	3.5	0.2	0.16	561K
AIUR-07-681	680	K	58	4.7	0.18	0.15	681K
AIUR-07-821	820	K	57	5.3	0.17	0.13	821K
AIUR-07-102	1000	K	60	6.3	0.15	0.10	102K

Test Conditions and equipments

Test frequency: 1KHz for 100 μ H~1000 μ H; 2.52MHz for 10 μ H~82 μ H

Isat: max. 10% inductance drop from initial value

IDC: The DC current at which the temperature rise is 40°C max

SHAANXI GOLD-STONE ELECTRONICS CO.,LTD

Web: www.gsmagnetics.com

Tel: 029-85401274

Fax: 029-85401274

E-mail: sales@gsmagnetics.com

Unshielded Radial Power Inductor

AIUR-07 Series

 RoHS/RoHS II Compliant



PART IDENTIFICATIONS:

AIUR-07-

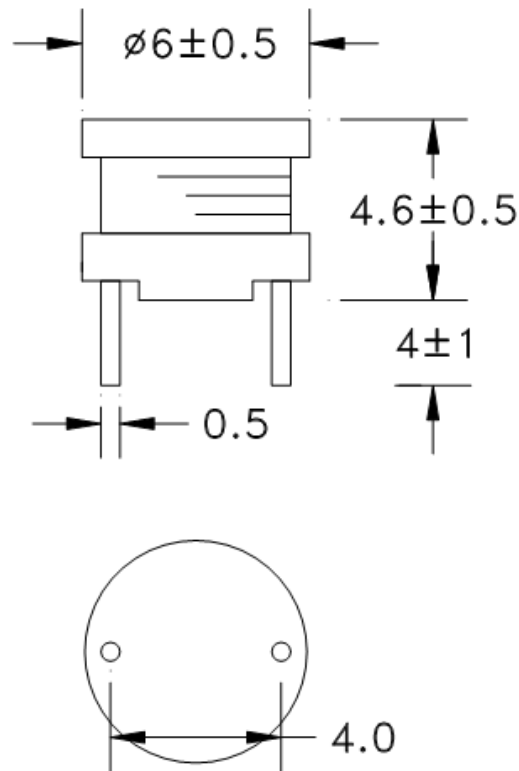
Inductance Code

Please refer to the
Electrical Spec Table

Tolerance

K: ±10%

OUTLINE DRAWING:



Dimension: mm

Packing (1,000pcs / Box)

SHAANXI GOLD-STONE ELECTRONICS CO.,LTD

Web: www.gsmagnetics.com Tel: 029-85401274 Fax: 029-85401274 E-mail: sales@gsmagnetics.com