

SMT Unshielded Power Inductors

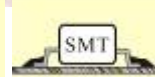
GS3011 / GS32 / GS43 / GS5019 / GS52 / GS53 GS54 / GS73 / GS75 / GS104 / GS105

Features (特長)

- Open Magnetic circuit construction (開磁路構造設計)
- Compact and thin (輕便薄小)
- Put the electrode with ferrite core directly, a small surface area allow a high mounting density. (直接電極設計、降低零件高度)

Applications (用途)

- VTR, OA equipment, LCD television set, Notebook, portable communication equipments, DC/DC converters, etc.. (錄放影機、OA 儀器、液晶電視、筆記型電腦、小型通信機器、直流轉換器等)



Product Identification (產品識別)

GS32 - _____ (Ex. GS32-1R0M)

1 2 3

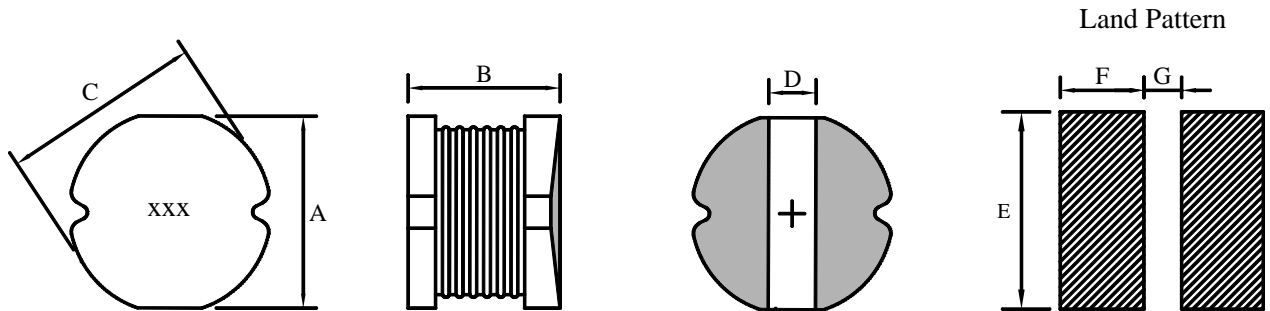
1. SMT Unshielded Power Inductors (開放式功率電感)
(GS3011, GS32, GS43, GS5019, GS52, GS53, GS54, GS73, GS75, GS104, GS105)
2. Inductance (電感值)
3. Tolerance (誤差值) (參照表 J 5%, K 10%, L 15%, M 20%, N 30%)

SMT Unshielded Power Inductors

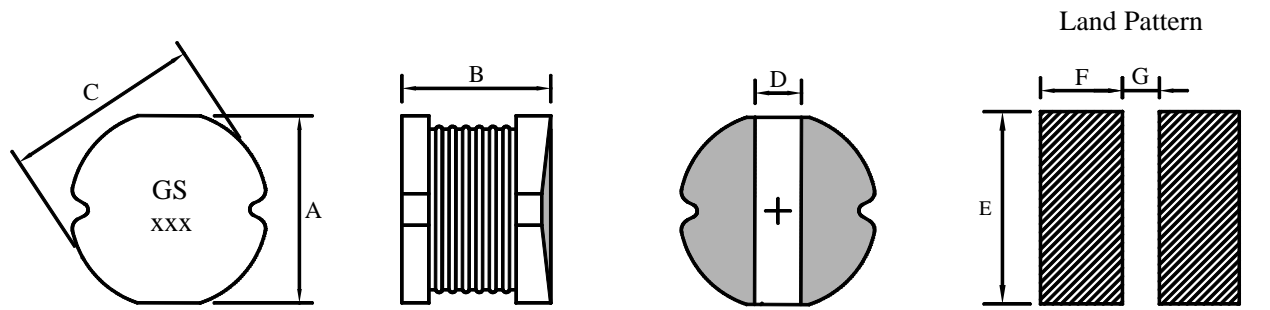
GS3011 / GS32 / GS43 / GS5019 / GS52 / GS53 GS54 / GS73 / GS75 / GS104 / GS105

Configurations & Dimensions (結構圖及規格尺寸)

GS3011 / GS32 / GS43



GS5019 / GS52 / GS53 / GS54 / GS73 / GS75 / GS104 / GS105



Unit In mm

Type (型式)	A ±0.3	B	∅ C ±0.3	D Typ.	E	F	G
GS3011	3.0	1.2(max)	3.5	1.0	3.5	1.60	0.8
GS32	3.0	2.3(max)	3.5	1.2	3.5	1.60	0.8
GS43	4.0	3.2±0.3	4.5	1.5	4.5	2.10	0.8
GS5019	5.2	1.9(max)	5.8	2.0	5.5	2.25	1.5
GS52	5.2	2.5±0.3	5.8	2.0	5.5	2.25	1.5
GS53	5.2	3.0±0.3	5.8	2.0	5.5	2.25	1.5
GS54	5.2	4.5±0.3	5.8	2.0	5.5	2.25	1.5
GS73	7.0	3.5±0.3	7.8	2.5	7.5	3.05	1.9
GS75	7.0	5.0±0.3	7.8	2.5	7.5	3.05	1.9
GS104	9.0	4.0±0.3	10.0	2.9	9.5	3.65	2.5
GS105	9.0	5.4±0.3	10.0	2.9	9.5	3.65	2.5

♣Design as Customer's Requested Specifications. (可依客戶特殊需求設計)

SMT Unshielded Power Inductors

GS3011

Electrical Characteristics for GS3011 Series [GS3011 系列電子特性規格]

Part Number 產品料號	Inductance (μ H) 電感值 (L)	Test Freq. (Hz) 測試頻率	DCR (Ω) (max) 直流阻抗	IDC (A) (max) 定格電流
GS3011-1R0M	1.00	100K	0.110	0.90
GS3011-2R2M	2.20	100K	0.140	1.14
GS3011-3R3M	3.30	100K	0.210	0.85
GS3011-3R9M	3.90	100K	0.255	0.84
GS3011-4R7M	4.70	100K	0.300	0.83
GS3011-5R6M	5.60	100K	0.370	0.80
GS3011-6R8M	6.80	100K	0.380	0.72
GS3011-8R2M	8.20	100K	0.568	0.80
GS3011-100K	10.00	100K	0.550	0.75
GS3011-120K	12.00	100K	0.750	0.70
GS3011-150K	15.00	100K	0.800	0.64
GS3011-180K	18.00	100K	1.000	0.50
GS3011-220K	22.00	100K	1.500	0.42
GS3011-330K	33.00	100K	1.800	0.35
GS3011-390K	39.00	100K	3.000	0.32
GS3011-470K	47.00	100K	2.500	0.30
GS3011-560K	56.00	100K	3.000	0.28
GS3011-680K	68.00	100K	4.000	0.25
GS3011-101K	100.00	100K	6.500	0.20

※Test Freq. : 100KHz / 0.1V.

※Operating Temp. : -40°C ~ +85°C

※Inductance drop = 10% typ. at IDC.

SMT Unshielded Power Inductors

GS32

Electrical Characteristics for GS32 Series [GS32 系列電子特性規格]

Part Number 產品料號	Inductance (μ H) 電感值 (L)	Test Freq. (Hz) 測試頻率	DCR (Ω) (max) 直流阻抗	IDC (A) (max) 定格電流
GS32-1R0M	1.00	100K	0.045	2.20
GS32-1R2M	1.20	100K	0.050	2.10
GS32-1R5M	1.50	100K	0.055	1.70
GS32-1R8M	1.80	100K	0.070	1.65
GS32-2R2M	2.20	100K	0.085	1.60
GS32-2R7M	2.70	100K	0.100	1.40
GS32-3R3M	3.30	100K	0.120	1.05
GS32-3R9M	3.90	100K	0.125	1.00
GS32-4R7M	4.70	100K	0.135	1.00
GS32-5R6M	5.60	100K	0.145	0.95
GS32-6R8M	6.80	100K	0.200	0.95
GS32-8R2M	8.20	100K	0.250	0.92
GS32-100K	10.00	100K	0.320	0.90
GS32-120K	12.00	100K	0.350	0.85
GS32-150K	15.00	100K	0.460	0.75
GS32-180K	18.00	100K	0.520	0.70
GS32-220K	22.00	100K	0.650	0.60
GS32-270K	27.00	100K	0.750	0.55
GS32-330K	33.00	100K	0.920	0.50
GS32-390K	39.00	100K	1.000	0.48
GS32-470K	47.00	100K	1.150	0.45
GS32-560K	56.00	100K	1.500	0.30
GS32-680K	68.00	100K	2.000	0.26
GS32-820K	82.00	100K	2.150	0.23
GS32-101K	100.00	100K	2.500	0.20
GS32-121K	120.00	100K	3.400	0.18
GS32-151K	150.00	100K	4.200	0.16
GS32-181K	180.00	100K	4.500	0.15
GS32-221K	220.00	100K	5.100	0.14
GS32-271K	270.00	100K	8.500	0.10
GS32-331K	330.00	100K	9.500	0.09

※Test Freq. : 100KHz / 0.1V.

※Operating Temp. : $-40^{\circ}\text{C} \sim +85^{\circ}\text{C}$

※Inductance drop = 10% typ. at IDC.

SMT Unshielded Power Inductors

GS43

Electrical Characteristics for GS43 Series [GS43 系列電子特性規格]

Part Number 產品料號	Inductance (μ H) 電感值 (L)	Test Freq. (Hz) 測試頻率	DCR (Ω) (max) 直流阻抗	IDC (A) (max) 定格電流
GS43-1R0M	1.00	7.96 M	0.033	3.80
GS43-1R4M	1.40	7.96 M	0.038	3.30
GS43-1R8M	1.80	7.96 M	0.042	2.91
GS43-2R2M	2.20	7.96 M	0.047	2.60
GS43-2R7M	2.70	7.96 M	0.052	2.43
GS43-3R3M	3.30	7.96 M	0.058	2.15
GS43-3R9M	3.90	7.96 M	0.076	1.98
GS43-4R7M	4.70	7.96 M	0.094	1.70
GS43-5R6M	5.60	7.96 M	0.101	1.60
GS43-6R8M	6.80	7.96 M	0.117	1.41
GS43-8R2M	8.20	7.96 M	0.132	1.26
GS43-100K	10.00	2.52 M	0.182	1.15
GS43-120K	12.00	2.52 M	0.210	1.05
GS43-150K	15.00	2.52 M	0.235	0.92
GS43-180K	18.00	2.52 M	0.338	0.84
GS43-220K	22.00	2.52 M	0.378	0.76
GS43-270K	27.00	2.52 M	0.522	0.71
GS43-330K	33.00	2.52 M	0.540	0.64
GS43-390K	39.00	2.52 M	0.587	0.59
GS43-470K	47.00	2.52 M	0.844	0.54
GS43-560K	56.00	2.52 M	0.937	0.50
GS43-680K	68.00	2.52 M	1.117	0.46
GS43-820K	82.00	1 K	1.345	0.45
GS43-101K	100.00	1 K	1.520	0.44
GS43-121K	120.00	1 K	1.800	0.43
GS43-151K	150.00	1 K	2.000	0.42
GS43-181K	180.00	1 K	3.200	0.38
GS43-221K	220.00	1 K	3.400	0.36
GS43-271K	270.00	1 K	3.900	0.34
GS43-331K	330.00	1 K	5.300	0.28
GS43-391K	390.00	1 K	5.900	0.24
GS43-471K	470.00	1 K	6.800	0.21
GS43-561K	560.00	1 K	8.500	0.20
GS43-681K	680.00	1 K	10.000	0.18
GS43-821K	820.00	1 K	13.400	0.15
GS43-102K	1000.00	1 K	15.600	0.14

※820 ~ 102 Test Freq. : 1KHz / 0.25V

※Operating Temp. : -40°C ~ +85°C

※Inductance drop = 10% typ. at IDC.

SMT Unshielded Power Inductors GS5019

Electrical Characteristics for GS5019 Series [GS5019 系列電子特性規格]

Part Number 產品料號	Inductance (μ H) 電感值 (L)	Test Freq. (Hz) 測試頻率	DCR (Ω) (max) 直流阻抗	IDC (A) (max) 定格電流
GS5019-1R0M	1.00	100K	0.0234	3.00
GS5019-2R2M	2.20	100K	0.0500	2.00
GS5019-3R3M	3.30	100K	0.0604	1.60
GS5019-3R9M	3.90	100K	0.0800	1.50
GS5019-4R7M	4.70	100K	0.0950	1.40
GS5019-6R8M	6.80	100K	0.1220	1.20
GS5019-100K	10.00	100K	0.1780	0.90
GS5019-220K	22.00	100K	0.3800	0.68
GS5019-330K	33.00	100K	0.5400	0.55
GS5019-470K	47.00	100K	0.7800	0.40
GS5019-560K	56.00	100K	0.9670	0.35
GS5019-101K	100.00	100K	1.6070	0.30
GS5019-121K	120.00	100K	2.2000	0.28
GS5019-151K	150.00	100K	2.5500	0.23
GS5019-181K	180.00	100K	3.1850	0.20
GS5019-221K	220.00	100K	3.4500	0.18
GS5019-271K	330.00	100K	4.2000	0.16

- ※Test Freq. : 100KHz / 0.1V.
- ※Operating Temp. : $-40^{\circ}\text{C} \sim +85^{\circ}\text{C}$
- ※Inductance drop = 10% typ. at IDC.
- ※ $\Delta T=40^{\circ}\text{C}$ rise at IDC

SMT Unshielded Power Inductors

GS52

Electrical Characteristics for GS52 Series [GS52 系列電子特性規格]

Part Number 產品料號	Inductance (μ H) 電感值 (L)	Test Freq. (Hz) 測試頻率	DCR (Ω) (max) 直流阻抗	IDC (A) (max) 定格電流
GS52-1R2M	1.20	100K	0.050	4.20
GS52-1R5M	1.50	100K	0.060	4.00
GS52-1R8M	1.80	100K	0.065	3.70
GS52-2R2M	2.20	100K	0.070	3.50
GS52-2R7M	2.70	100K	0.080	3.20
GS52-3R3M	3.30	100K	0.100	2.70
GS52-3R9M	3.90	100K	0.120	2.40
GS52-4R7M	4.70	100K	0.140	2.00
GS52-5R6M	5.60	100K	0.150	1.80
GS52-6R8M	6.80	100K	0.160	1.50
GS52-8R2M	8.20	100K	0.170	1.40
GS52-100K	10.00	100K	0.200	1.30
GS52-120K	12.00	100K	0.230	1.10
GS52-150K	15.00	100K	0.250	1.05
GS52-180K	18.00	100K	0.300	1.00
GS52-220K	22.00	100K	0.350	0.90
GS52-270K	27.00	100K	0.400	0.85
GS52-330K	33.00	100K	0.500	0.75
GS52-390K	39.00	100K	0.550	0.70
GS52-470K	47.00	100K	0.650	0.60
GS52-560K	56.00	100K	0.750	0.55
GS52-680K	68.00	100K	0.950	0.50
GS52-820K	82.00	100K	1.200	0.45
GS52-101K	100.00	100K	1.400	0.40
GS52-121K	120.00	100K	1.750	0.35
GS52-151K	150.00	100K	2.000	0.25
GS52-181K	180.00	100K	2.600	0.22
GS52-221K	220.00	100K	3.000	0.20
GS52-271K	270.00	100K	3.700	0.18
GS52-331K	330.00	100K	4.300	0.17
GS52-391K	390.00	100K	6.000	0.16
GS52-471K	470.00	100K	6.700	0.15

※Test Freq. : 100KHz / 0.1V.

※Operating Temp. : -40°C ~ +85°C

※Inductance drop = 10% typ. at IDC.

SMT Unshielded Power Inductors

GS53

Electrical Characteristics for GS53 Series [GS53 系列電子特性規格]

Part Number 產品料號	Inductance (μ H) 電感值 (L)	Test Freq. (Hz) 測試頻率	DCR (Ω) (max) 直流阻抗	IDC (A) (max) 定格電流
GS53 -1R0M	1.00	7.96 M	0.030	4.50
GS53 -1R2M	1.20	7.96 M	0.030	4.20
GS53 -1R5M	1.50	7.96 M	0.030	4.10
GS53 -1R8M	1.80	7.96 M	0.030	3.70
GS53 -2R2M	2.20	7.96 M	0.030	3.50
GS53 -2R7M	2.70	7.96 M	0.040	3.20
GS53 -3R3M	3.30	7.96 M	0.050	2.80
GS53 -3R9M	3.90	7.96 M	0.060	2.60
GS53 -4R7M	4.70	7.96 M	0.070	2.50
GS53 -5R6M	5.60	7.96 M	0.080	2.40
GS53 -6R8M	6.80	7.96 M	0.090	2.20
GS53 -8R2M	8.20	7.96 M	0.100	2.00
GS53 -100K	10.00	2.52 M	0.120	1.80
GS53 -120K	12.00	2.52 M	0.130	1.75
GS53 -150K	15.00	2.52 M	0.150	1.70
GS53 -180K	18.00	2.52 M	0.180	1.60
GS53 -220K	22.00	2.52 M	0.220	1.50
GS53 -270K	27.00	2.52 M	0.240	1.40
GS53 -330K	33.00	2.52 M	0.300	1.10
GS53 -390K	39.00	2.52 M	0.400	1.00
GS53 -470K	47.00	2.52 M	0.430	0.90
GS53 -560K	56.00	2.52 M	0.500	0.85
GS53 -680K	68.00	2.52 M	0.600	0.80
GS53 -820K	82.00	2.52 M	0.800	0.65
GS53 -101K	100.00	1 K	0.900	0.60
GS53 -121K	120.00	1 K	1.000	0.58
GS53 -151K	150.00	1 K	1.300	0.43
GS53 -181K	180.00	1 K	1.500	0.41
GS53 -221K	220.00	1 K	2.000	0.38
GS53 -271K	270.00	1 K	2.500	0.35
GS53 -331K	330.00	1 K	3.200	0.28
GS53 -391K	390.00	1 K	3.500	0.26
GS53 -471K	470.00	1 K	4.200	0.20
GS53 -561K	560.00	1 K	4.500	0.19
GS53 -681K	680.00	1 K	6.000	0.18
GS53 -821K	820.00	1 K	6.500	0.15
GS53 -102K	1000.00	1 K	8.000	0.13

※101~102 Test Freq. : 1KHz / 0.25V
 ※Operating Temp. : -40°C ~ +85°C
 ※Inductance drop = 10% typ. at IDC.

SMT Unshielded Power Inductors

GS54

Electrical Characteristics for GS54 Series [GS54 系列電子特性規格]

Part Number 產品料號	Inductance (μ H) 電感值 (L)	Test Freq. (Hz) 測試頻率	DCR (Ω) (max) 直流阻抗	IDC (A) (max) 定格電流
GS54 -1R0M	1.00	7.96 M	0.015	5.90
GS54 -1R2M	1.20	7.96 M	0.020	5.20
GS54 -1R5M	1.50	7.96 M	0.025	4.70
GS54 -1R8M	1.80	7.96 M	0.030	4.00
GS54 -2R2M	2.20	7.96 M	0.035	3.80
GS54 -2R7M	2.70	7.96 M	0.040	3.40
GS54 -3R3M	3.30	7.96 M	0.045	3.30
GS54 -3R9M	3.90	7.96 M	0.050	2.90
GS54 -4R7M	4.70	7.96 M	0.060	2.80
GS54 -5R6M	5.60	7.96 M	0.070	2.40
GS54 -6R8M	6.80	7.96 M	0.080	2.10
GS54 -8R2M	8.20	7.96 M	0.090	2.00
GS54 -100K	10.00	2.52 M	0.100	1.44
GS54 -120K	12.00	2.52 M	0.120	1.40
GS54 -150K	15.00	2.52 M	0.140	1.30
GS54 -180K	18.00	2.52 M	0.150	1.23
GS54 -220K	22.00	2.52 M	0.180	1.11
GS54 -270K	27.00	2.52 M	0.200	0.97
GS54 -330K	33.00	2.52 M	0.230	0.88
GS54 -390K	39.00	2.52 M	0.320	0.80
GS54 -470K	47.00	2.52 M	0.370	0.72
GS54 -560K	56.00	2.52 M	0.420	0.68
GS54 -680K	68.00	2.52 M	0.460	0.61
GS54 -820K	82.00	2.52 M	0.600	0.58
GS54 -101K	100.00	1 K	0.700	0.52
GS54 -121K	120.00	1 K	0.930	0.48
GS54 -151K	150.00	1 K	1.100	0.40
GS54 -181K	180.00	1 K	1.380	0.38
GS54 -221K	220.00	1 K	1.570	0.35
GS54 -271K	270.00	1 K	1.650	0.32
GS54 -331K	330.00	1 K	1.700	0.28
GS54 -391K	390.00	1 K	1.800	0.26
GS54 -471K	470.00	1 K	2.300	0.23
GS54 -561K	560.00	1 K	2.500	0.20
GS54 -681K	680.00	1 K	3.000	0.19
GS54 -821K	820.00	1 K	4.500	0.16
GS54 -102K	1000.00	1 K	4.800	0.14

※101~102 Test Freq. : 1KHz / 0.25V

※Operating Temp. : -40°C ~ +85°C

※Inductance drop = 10% typ. at IDC.

SMT Unshielded Power Inductors GS73

Electrical Characteristics for GS73 Series [GS73 系列電子特性規格]

Part Number 產品料號	Inductance (μ H) 電感值 (L)	Test Freq. (Hz) 測試頻率	DCR (Ω) (max) 直流阻抗	IDC (A) (max) 定格電流
GS73-100K	10.00	2.52 M	0.080	1.44
GS73-120K	12.00	2.52 M	0.090	1.39
GS73-150K	15.00	2.52 M	0.100	1.24
GS73-180K	18.00	2.52 M	0.110	1.12
GS73-220K	22.00	2.52 M	0.130	1.07
GS73-270K	27.00	2.52 M	0.150	0.94
GS73-330K	33.00	2.52 M	0.170	0.85
GS73-390K	39.00	2.52 M	0.220	0.74
GS73-470K	47.00	2.52 M	0.250	0.68
GS73-560K	56.00	2.52 M	0.280	0.64
GS73-680K	68.00	2.52 M	0.330	0.59
GS73-820K	82.00	2.52 M	0.410	0.54
GS73-101K	100.00	1 K	0.480	0.51
GS73-121K	120.00	1 K	0.540	0.49
GS73-151K	150.00	1 K	0.750	0.40
GS73-181K	180.00	1 K	1.020	0.36
GS73-221K	220.00	1 K	1.200	0.31
GS73-271K	270.00	1 K	1.310	0.29
GS73-331K	330.00	1 K	1.500	0.28
GS73-391K	390.00	1 K	1.800	0.26
GS73-471K	470.00	1 K	1.950	0.23
GS73-561K	560.00	1 K	2.300	0.21
GS73-681K	680.00	1 K	2.700	0.13
GS73-821K	820.00	1 K	3.200	0.11
GS73-102K	1000.00	1 K	3.800	0.08

※101 ~ 102 Test Freq. : 1KHz / 0.25V

※Operating Temp. : -40°C ~ $+85^{\circ}\text{C}$

※Inductance drop = 10% typ. at IDC.

SMT Unshielded Power Inductors GS75

Electrical Characteristics for GS75 Series [GS75 系列電子特性規格]

Part Number 產品料號	Inductance (μ H) 電感值 (L)	Test Freq. (Hz) 測試頻率	DCR (Ω) (max) 直流阻抗	IDC (A) (max) 定格電流
GS75-100K	10.00	2.52 M	0.070	2.30
GS75-120K	12.00	2.52 M	0.080	2.00
GS75-150K	15.00	2.52 M	0.090	1.80
GS75-180K	18.00	2.52 M	0.100	1.60
GS75-220K	22.00	2.52 M	0.110	1.50
GS75-270K	27.00	2.52 M	0.120	1.30
GS75-330K	33.00	2.52 M	0.130	1.20
GS75-390K	39.00	2.52 M	0.160	1.10
GS75-470K	47.00	2.52 M	0.180	1.10
GS75-560K	56.00	2.52 M	0.240	0.94
GS75-680K	68.00	2.52 M	0.280	0.85
GS75-820K	82.00	2.52 M	0.370	0.78
GS75-101K	100.00	1 K	0.430	0.72
GS75-121K	120.00	1 K	0.470	0.66
GS75-151K	150.00	1 K	0.640	0.58
GS75-181K	180.00	1 K	0.710	0.51
GS75-221K	220.00	1 K	0.960	0.49
GS75-271K	270.00	1 K	1.110	0.42
GS75-331K	330.00	1 K	1.260	0.40
GS75-391K	390.00	1 K	1.770	0.36
GS75-471K	470.00	1 K	1.960	0.34
GS75-561K	560.00	1 K	2.000	0.33
GS75-681K	680.00	1 K	2.200	0.32
GS75-821K	820.00	1 K	2.900	0.25
GS75-102K	1000.00	1 K	3.900	0.20

※101 ~ 102 Test Freq. : 1KHz / 0.25V

※Operating Temp. : -40°C ~ $+85^{\circ}\text{C}$

※Inductance drop = 10% typ. at IDC.

SMT Unshielded Power Inductors

GS104

Electrical Characteristics for GS104 Series [GS104 系列電子特性規格]

Part Number 產品料號	Inductance (μ H) 電感值(L)	Test Freq. (Hz) 測試頻率	DCR (Ω) (max) 直流阻抗	IDC (A) (max) 定格電流
GS104-100K	10.00	2.52 M	0.053	2.38
GS104-120K	12.00	2.52 M	0.061	2.13
GS104-150K	15.00	2.52 M	0.070	1.87
GS104-180K	18.00	2.52 M	0.081	1.73
GS104-220K	22.00	2.52 M	0.088	1.60
GS104-270K	27.00	2.52 M	0.100	1.44
GS104-330K	33.00	2.52 M	0.120	1.26
GS104-390K	39.00	2.52 M	0.151	1.20
GS104-470K	47.00	2.52 M	0.170	1.10
GS104-560K	56.00	2.52 M	0.199	1.01
GS104-680K	68.00	2.52 M	0.223	0.91
GS104-820K	82.00	2.52 M	0.252	0.85
GS104-101K	100.00	1 K	0.344	0.74
GS104-121K	120.00	1 K	0.396	0.69
GS104-151K	150.00	1 K	0.544	0.61
GS104-181K	180.00	1 K	0.621	0.56
GS104-221K	220.00	1 K	0.721	0.53
GS104-271K	270.00	1 K	0.949	0.45
GS104-331K	330.00	1 K	1.100	0.42
GS104-391K	390.00	1 K	1.245	0.38
GS104-471K	470.00	1 K	1.526	0.35
GS104-561K	560.00	1 K	1.904	0.32
GS104-681K	680.00	1 K	2.200	0.31
GS104-821K	820.00	1 K	2.700	0.30
GS104-102K	1000.00	1 K	3.500	0.29

※101 ~ 102 Test Freq. : 1KHz / 0.25V

※Operating Temp. : -40°C ~ +85°C

※Inductance drop = 10% typ. at IDC.

SMT Unshielded Power Inductors GS105

Electrical Characteristics for GS105 Series [GS105 系列電子特性規格]

Part Number 產品料號	Inductance (μ H) 電感值 (L)	Test Freq. (Hz) 測試頻率	DCR (Ω) (max) 直流阻抗	IDC (A) (max) 定格電流
GS105-100K	10.00	2.52 M	0.060	2.60
GS105-120K	12.00	2.52 M	0.070	2.45
GS105-150K	15.00	2.52 M	0.080	2.27
GS105-180K	18.00	2.52 M	0.090	2.15
GS105-220K	22.00	2.52 M	0.100	1.95
GS105-270K	27.00	2.52 M	0.110	1.76
GS105-330K	33.00	2.52 M	0.120	1.50
GS105-390K	39.00	2.52 M	0.140	1.37
GS105-470K	47.00	2.52 M	0.170	1.28
GS105-560K	56.00	2.52 M	0.190	1.17
GS105-680K	68.00	2.52 M	0.220	1.11
GS105-820K	82.00	2.52 M	0.250	1.00
GS105-101K	100.00	1 K	0.350	0.97
GS105-121K	120.00	1 K	0.400	0.89
GS105-151K	150.00	1 K	0.470	0.78
GS105-181K	180.00	1 K	0.630	0.72
GS105-221K	220.00	1 K	0.730	0.66
GS105-271K	270.00	1 K	0.970	0.57
GS105-331K	330.00	1 K	1.150	0.52
GS105-391K	390.00	1 K	1.300	0.48
GS105-471K	470.00	1 K	1.480	0.42
GS105-561K	560.00	1 K	1.900	0.33
GS105-681K	680.00	1 K	2.250	0.28
GS105-821K	820.00	1 K	2.550	0.24
GS105-102K	1000.00	1 K	3.000	0.20

- ※101~102 Test Freq. : 1KHz / 0.25V
- ※Operating Temp. : -40°C ~ $+85^{\circ}\text{C}$
- ※Inductance drop = 10% typ. at IDC.