

SMT Shielded Power Inductors GSRH73 / GSRH74

Features (特長)

- Magnetically shielded construction (閉磁路構造設計)
- Compact and thin (輕便薄小)
- Large Current and Low DCR (大電流低直流阻抗)

Applications (用途)

- VTR, OA equipment, LCD television set, Notebook, portable communication equipments, DC/DC converters, etc.. (錄放影機、OA 儀器、液晶電視、筆記型電腦、小型通信機器、直流轉換器等)



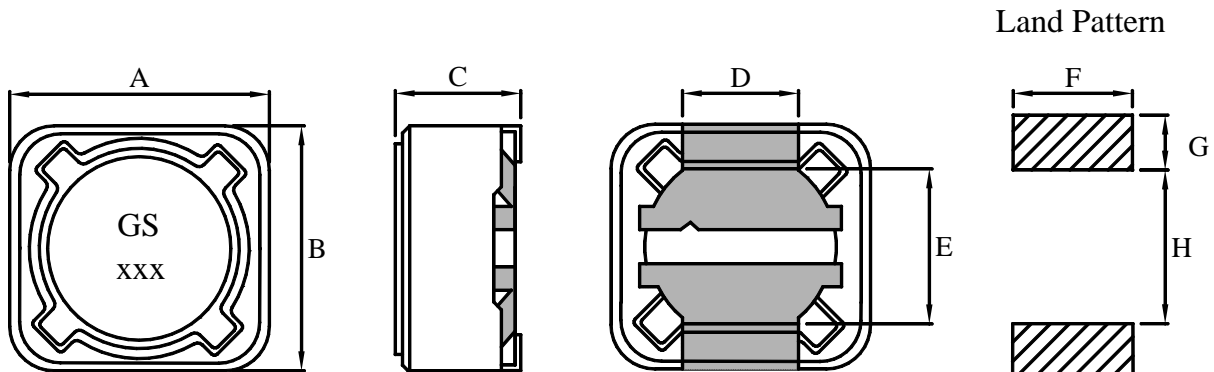
Product Identification (產品識別)

GSRH73 - _____ (Ex. GSRH73-100M)

1 2 3

1. SMT Shielded Power Inductors (閉磁式功率電感) (GSRH73, GSRH74)
2. Inductance (電感值)
3. Tolerance (誤差值) (參照表 K 10%, L 15%, M 20%, N 30%)

Configurations & Dimensions (結構圖及規格尺寸)



Unit In mm

Type (型式)	A (max)	B (max)	C (max)	D ±0.2	E ±0.2	F	G	H
GSRH73	7.5	7.5	3.4	2.7	5.1	3.1	1.6	4.8
GSRH74	7.5	7.5	4.5	2.7	5.1	3.1	1.6	4.8

♣ Design as Customer's Requested Specifications. (可依客戶特殊需求設計)

SMT Shielded Power Inductors GSRH73

Electrical Characteristics for GSRH73 Series [GSRH73 系列電子特性規格]

Part Number 產品料號	Inductance (μ H) 電感值(L)	Test Freq. (KHz) 測試頻率	DCR (Ω) (max) 直流阻抗	IDC (A) (max) 定格電流
GSRH73-100M	10.00	1	0.072	1.68
GSRH73-120M	12.00	1	0.098	1.52
GSRH73-150M	15.00	1	0.130	1.33
GSRH73-180M	18.00	1	0.140	1.20
GSRH73-220M	22.00	1	0.190	1.07
GSRH73-270M	27.00	1	0.210	0.96
GSRH73-330M	33.00	1	0.240	0.91
GSRH73-390M	39.00	1	0.320	0.77
GSRH73-470M	47.00	1	0.360	0.76
GSRH73-560M	56.00	1	0.470	0.68
GSRH73-680M	68.00	1	0.520	0.61
GSRH73-820M	82.00	1	0.690	0.57
GSRH73-101M	100.00	1	0.790	0.50
GSRH73-121M	120.00	1	0.890	0.49
GSRH73-151M	150.00	1	1.270	0.43
GSRH73-181M	180.00	1	1.450	0.39
GSRH73-221M	220.00	1	1.650	0.35
GSRH73-271M	270.00	1	2.310	0.32
GSRH73-331M	330.00	1	2.620	0.28
GSRH73-391M	390.00	1	2.940	0.26
GSRH73-471M	470.00	1	4.180	0.24
GSRH73-561M	560.00	1	4.670	0.22
GSRH73-681M	680.00	1	5.730	0.19
GSRH73-821M	820.00	1	6.540	0.18
GSRH73-102M	1000.00	1	9.440	0.16

※Test Freq. : 1KHz / 0.25V.

※Operating Temp. : -40°C ~ +85°C

※Inductance drop=10% typ. at IDC.

SMT Shielded Power Inductors

GSRH74

Electrical Characteristics for GSRH74 Series [GSRH74 系列電子特性規格]

Part Number 產品料號	Inductance (μ H) 電感值 (L)	Test Freq. (KHz) 測試頻率	DCR (Ω) (max) 直流阻抗	IDC (A) (max) 定格電流
GSRH74 -100M	10.00	1	0.049	1.84
GSRH74 -120M	12.00	1	0.058	1.71
GSRH74 -150M	15.00	1	0.081	1.47
GSRH74 -180M	18.00	1	0.091	1.31
GSRH74 -220M	22.00	1	0.110	1.23
GSRH74 -270M	27.00	1	0.150	1.12
GSRH74 -330M	33.00	1	0.170	0.96
GSRH74 -390M	39.00	1	0.230	0.91
GSRH74 -470M	47.00	1	0.260	0.88
GSRH74 -560M	56.00	1	0.350	0.75
GSRH74 -680M	68.00	1	0.380	0.69
GSRH74 -820M	82.00	1	0.430	0.61
GSRH74 -101M	100.00	1	0.610	0.60
GSRH74 -121M	120.00	1	0.660	0.52
GSRH74 -151M	150.00	1	0.880	0.46
GSRH74 -181M	180.00	1	0.980	0.42
GSRH74 -221M	220.00	1	1.170	0.36
GSRH74 -271M	270.00	1	1.640	0.34
GSRH74 -331M	330.00	1	1.860	0.32
GSRH74 -391M	390.00	1	2.850	0.29
GSRH74 -471M	470.00	1	3.010	0.26
GSRH74 -561M	560.00	1	3.620	0.23
GSRH74 -681M	680.00	1	4.630	0.22
GSRH74 -821M	820.00	1	5.200	0.20
GSRH74 -102M	1000.00	1	6.000	0.18

※Test Freq. : 1KHz / 0.25V.

※Operating Temp. : -40°C ~ +85°C

※Inductance drop=10% typ. at IDC.