

SMT Shielded Power Inductors GSRH6D18C

Features (特長)

- Magnetically shielded construction (閉磁路構造設計)
- Low Profile (扁平化設計)
- Large Current and Low DCR (大電流低直流阻抗)

Applications (用途)

- LCD Driver (LCD 驅動器)
- Small DC/DC converter (小型直流轉換器)



Product Identification (產品識別)

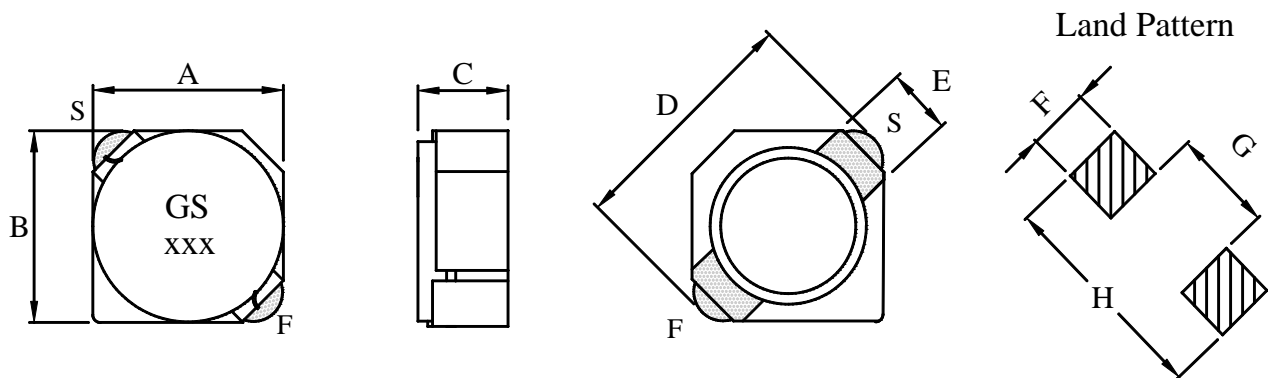
GSRH6D18C - ____ ____ (Ex. GSRH6D18C-2R2N)

1 2 3

1. SMT Shielded Power Inductors (閉磁式功率電感) (GSRH6D18C)
2. Inductance (電感值)
3. Tolerance (誤差值) (M 20%, N 30%)



Configurations & Dimensions (結構圖及規格尺寸)



Unit In mm

Type (型式)	A	B	C	D	E	F	G	H
GSRH6D18C	±0.3	±0.3	(max)	(max)	(Ref.)			
	6.7	6.7	2.0	9.5	3.0	3.7	4.0	8.8

♣ Design as Customer's Requested Specifications. (可依客戶特殊需求設計)

SMT Shielded Power Inductors GSRH6D18C

Electrical Characteristics for GSRH6D18C Series [GSRH6D18C 系列電子特性規格]

Part Number 產品料號	Inductance (μ H) 電感值(L)	Test Freq. (KHz) 測試頻率	DCR (Ω) (max) 直流阻抗	IDC (A) (max) 定格電流	Irms (A) (max) 溫昇電流
GSRH6D18C -2R2N	2.20	100	0.0508	3.20	3.30
GSRH6D18C -3R3N	3.30	100	0.0666	2.50	3.00
GSRH6D18C -4R7N	4.70	100	0.0840	2.20	2.70
GSRH6D18C -6R8N	6.80	100	0.1260	1.60	1.90
GSRH6D18C -100M	10.00	100	0.1500	1.80	1.80
GSRH6D18C -150M	15.00	100	0.2710	1.30	1.40
GSRH6D18C -220M	22.00	100	0.4600	1.00	1.00
GSRH6D18C -330M	33.00	100	0.6660	0.86	0.86
GSRH6D18C -470M	47.00	100	0.9180	0.70	0.80

※Test Freq. : 100KHz / 0.5V.

※Operating Temp. : -40°C ~ +85°C

※Inductance drop = 35% typ. at IDC.

※ $\Delta T=45^{\circ}\text{C}$ rise at IDC.