

SMT Shielded Power Inductors

GSRH2D09A / GSRH2D11A / GSRH2D14A GSRH2D18A

Features (特長)

- Magnetically shielded construction (閉磁路構造設計)
- Compact and thin (輕便薄小)
- Large Current and Low DCR (大電流低直流阻抗)

Applications (用途)

- DC-DC converter of portable equipment. (攜帶機器之直流轉換器)
- Camcorder, LCD television set, Digital camera, P.D.A., Notebook. (攝影機、液晶電視、數位相機、P.D.A.、筆記型電腦)

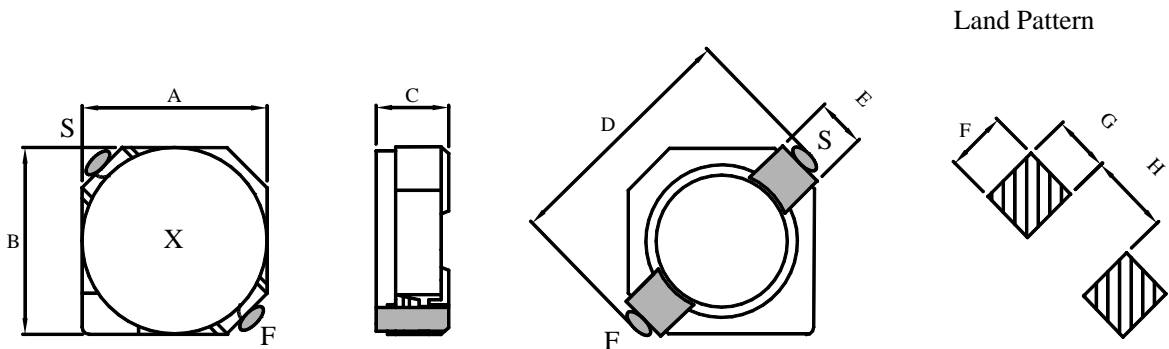


Product Identification (產品識別)

GSRH2D09A - _____ (Ex. GSRH2D09A-1R2N)

1 2 3

1. SMT Shielded Power Inductors (閉磁式功率電感)
(GSRH2D09A, GSRH2D11A, GSRH2D14A, GSRH2D18A)
2. Inductance (電感值)
3. Tolerance (誤差值) (參照表 K 10%, L 15%, M 20%, N 30%)



Unit In mm

Type (型式)	A (max)	B (max)	C (max)	D (max)	E (Ref.)	F	G	H
GSRH2D09A	3.2	3.2	1.00	4.3	1.0	1.3	1.3	1.7
GSRH2D11A	3.2	3.2	1.20	4.3	1.0	1.3	1.3	1.7
GSRH2D14A	3.2	3.2	1.55	4.3	1.0	1.3	1.3	1.7
GSRH2D18A	3.2	3.2	2.00	4.3	1.0	1.3	1.3	1.7

♣ Design as Customer's Requested Specifications. (可依客戶特殊需求設計)

SMT Shielded Power Inductors

GSRH2D09A

Electrical Characteristics for GSRH2D09A Series [GSRH2D09A 系列電子特性規格]

Part Number 產品料號	Marking 捺印	Inductance (μ H) 電感值 (L)	Test Freq. (KHz) 測試頻率	DCR (Ω) (max) 直流阻抗	Isat (A) (max) 定格電流	Irms (A) (max) 溫昇電流
GSRH2D09A - 1R2N	A	1.20	100	0.0975	0.80	1.24
GSRH2D09A - 1R5N	B	1.50	100	0.1100	0.73	1.15
GSRH2D09A - 1R8N	C	1.80	100	0.1310	0.65	1.06
GSRH2D09A - 2R2N	D	2.20	100	0.1440	0.60	1.05
GSRH2D09A - 2R5N	E	2.50	100	0.1500	0.53	0.98
GSRH2D09A - 3R0N	F	3.00	100	0.1940	0.47	0.84
GSRH2D09A - 3R9N	G	3.90	100	0.2250	0.45	0.72
GSRH2D09A - 4R7N	H	4.70	100	0.2880	0.41	0.64
GSRH2D09A - 5R6N	I	5.60	100	0.3250	0.37	0.59
GSRH2D09A - 6R8N	J	6.80	100	0.4250	0.33	0.53
GSRH2D09A - 8R2N	K	8.20	100	0.4750	0.30	0.46
GSRH2D09A - 100N	L	10.00	100	0.5380	0.28	0.42

- ※Test Freq. : 100KHz / 0.1V.
- ※Operating Temp. : $-40^{\circ}\text{C} \sim +85^{\circ}\text{C}$
- ※Inductance drop = 35% typ. at Isat.
- ※ $\Delta T=40^{\circ}\text{C}$ rise at Irms.

GSRH2D11A

Electrical Characteristics for GSRH2D11A Series [GSRH2D11A 系列電子特性規格]

Part Number 產品料號	Marking 捺印	Inductance (μ H) 電感值 (L)	Test Freq. (KHz) 測試頻率	DCR (Ω) (max) 直流阻抗	Isat (A) (max) 定格電流	Irms (A) (max) 溫昇電流
GSRH2D11A - 1R5N	B	1.50	100	0.068	0.90	1.48
GSRH2D11A - 2R2N	D	2.20	100	0.098	0.78	1.27
GSRH2D11A - 3R3N	F	3.30	100	0.123	0.60	1.02
GSRH2D11A - 4R7N	H	4.70	100	0.170	0.50	0.88
GSRH2D11A - 6R8N	J	6.80	100	0.260	0.44	0.80
GSRH2D11A - 100N	L	10.00	100	0.400	0.35	0.65

- ※Test Freq. : 100KHz / 0.1V.
- ※Operating Temp. : $-40^{\circ}\text{C} \sim +85^{\circ}\text{C}$
- ※Inductance drop = 35% typ. at Isat.
- ※ $\Delta T=40^{\circ}\text{C}$ rise at Irms.

SMT Shielded Power Inductors

GSRH2D14A

Electrical Characteristics for GSRH2D14A Series [GSRH2D14A 系列電子特性規格]

Part Number 產品料號	Marking 捺印	Inductance (μ H) 電感值 (L)	Test Freq. (KHz) 測試頻率	DCR (Ω) (max) 直流阻抗	Isat (A) (max) 定格電流	Irms (A) (max) 溫昇電流
GSRH2D14A - 1R5N	B	1.50	100	0.063	1.800	2.00
GSRH2D14A - 1R8N	C	1.80	100	0.075	1.650	1.80
GSRH2D14A - 2R2N	D	2.20	100	0.094	1.500	1.60
GSRH2D14A - 2R7N	E	2.70	100	0.106	1.350	1.40
GSRH2D14A - 3R3N	F	3.30	100	0.125	1.200	1.24
GSRH2D14A - 3R9N	G	3.90	100	0.138	1.100	1.12
GSRH2D14A - 4R7N	H	4.70	100	0.169	1.000	1.00
GSRH2D14A - 5R6N	I	5.60	100	0.188	0.945	0.98
GSRH2D14A - 6R8N	J	6.80	100	0.213	0.850	0.92
GSRH2D14A - 8R2N	K	8.20	100	0.281	0.800	0.80
GSRH2D14A - 100N	L	10.00	100	0.294	0.700	0.76
GSRH2D14A - 120N	M	12.00	100	0.394	0.620	0.64

- ※Test Freq. : 100KHz / 0.1V.
- ※Operating Temp. : $-40^{\circ}\text{C} \sim +85^{\circ}\text{C}$
- ※Inductance drop = 35% typ. at Isat.
- ※ $\Delta T=40^{\circ}\text{C}$ rise at Irms.

SMT Shielded Power Inductors GSRH2D18A

Electrical Characteristics for GSRH2D18A Series [GSRH2D18A 系列電子特性規格]

Part Number 產品料號	Marking 捺印	Inductance (μ H) 電感值(L)	Test Freq. (KHz) 測試頻率	DCR (Ω) (max) 直流阻抗	IDC (A) (max) 定格電流
GSRH2D18A -2R2N	C	2.20	100	0.043	0.85
GSRH2D18A -3R3N	D	3.30	100	0.060	0.77
GSRH2D18A -4R7N	F	4.70	100	0.081	0.63
GSRH2D18A -6R8N	I	6.80	100	0.108	0.57
GSRH2D18A -100N	K	10.00	100	0.201	0.45
GSRH2D18A -150N	M	15.00	100	0.227	0.35
GSRH2D18A -220N	O	22.00	100	0.331	0.30
GSRH2D18A -330N	Q	33.00	100	0.481	0.23

※Test Freq. : 100KHz / 0.1V.

※Operating Temp. : $-40^{\circ}\text{C} \sim +85^{\circ}\text{C}$

※Inductance drop = 35% typ. at IDC.