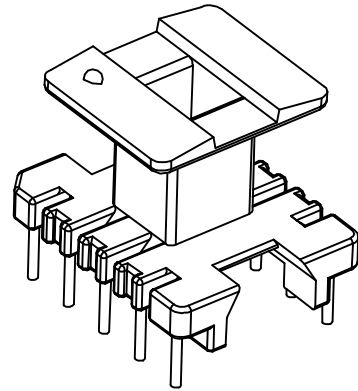
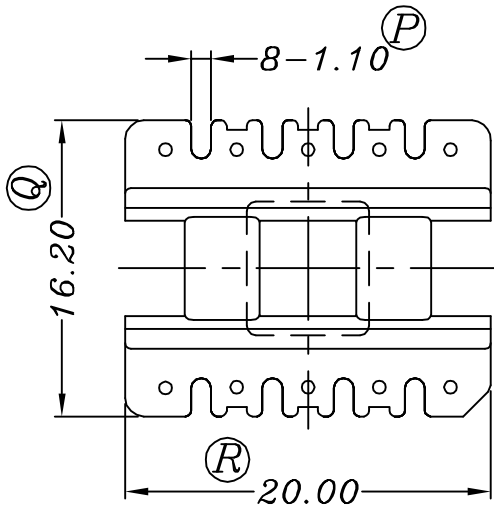
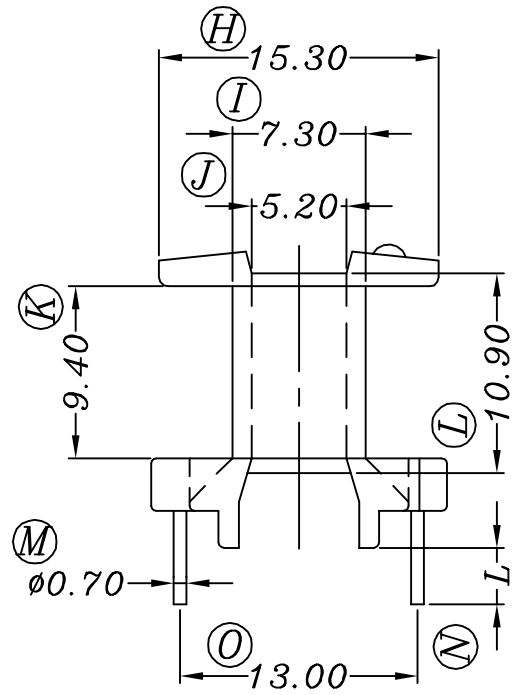
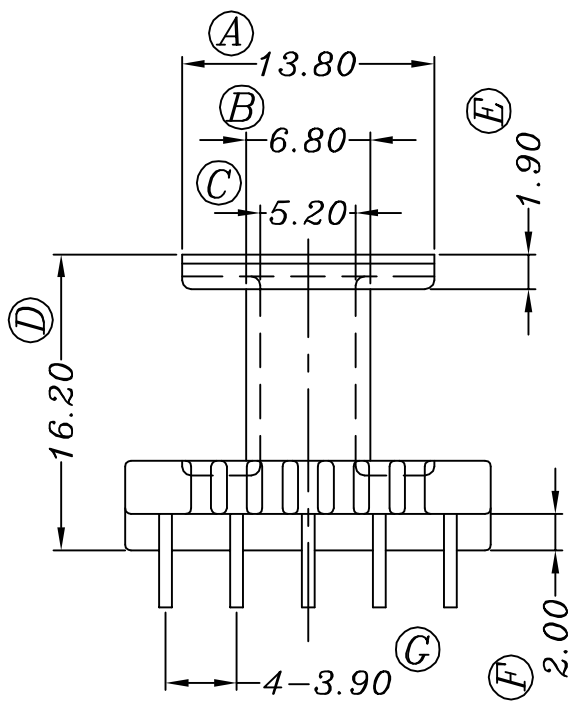


# PY-1909



REV	REVISION RECORD	DATE	REV	REVISION RECORD	DATE
A			C		
B			D		

NAME	EI-19 (5+5P)	MATERIAL	PHENOLIC	SCALE	2/1	ANGLE	$\pm 1^\circ$
DRAWING NO.	PY-1909	PIN MATERIAL	CP WIRE	UNIT	m/m	REV	A
TOLERANCE OF PIN PITCH $\pm 0.20$				<b>东莞市品悦塑胶制品有限公司</b> TEL: 0769-86388745 0769-86388746 FAX: 0769-86388749 E-mail: dgpinyue@163.com			
PIN TENSION LOAD kg MIN		UL REC: 94V-0					
TOLERANCE: 0<L≤4: ±0.2 4<L≤16: ±0.3 16<L≤63: ±0.4							