

Encapsulated Transformers

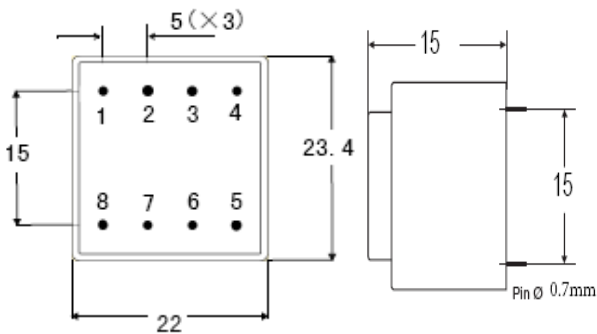
Type: EE20/06

0.35VA/0.45VA

- CE approved
- Potted under vacuum
- Dielectric strength—4000Vrms
- High ambient operation temperature(+70°C max)
- Insulation class—Class B(130°C)

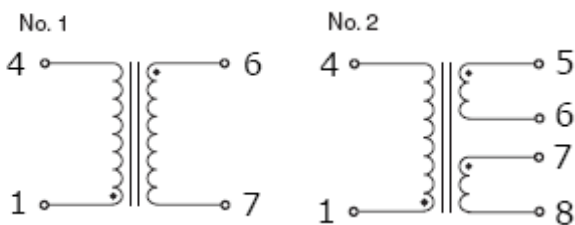


Dimension (mm)



Empty pin shall be omitted if necessary

Circuit Diagram



Provide customized transformer

Primary (230V)	Primary (115V)	Secondary (V/m A)	Power (VA)	Circuit Diagram
EE2006001	EE2006101	6/58	0.35	1
EE2006002	EE2006102	6/75	0.45	1
EE2006003	EE2006103	9/39	0.35	1
EE2006004	EE2006104	9/50	0.45	1
EE2006005	EE2006105	12/29	0.35	1
EE2006006	EI2006106	12/38	0.45	1
EE2006007	EE2006107	15/23	0.35	1
EE2006008	EE2006108	15/30	0.45	1
EE2006009	EE2006109	18/19	0.35	1
EE2006010	EE2006110	18/25	0.45	1
EE2006011	EE2006111	24/15	0.35	1
EE2006012	EI2006112	24/19	0.45	1
EE2006013	EI2006113	2×6/29	0.35	2
EE2006014	EE2006114	2×6/38	0.45	2
EE2006015	EE2006115	2×9/19	0.35	2
EE2006016	EE2006116	2×9/25	0.45	2
EE2006017	EE2006117	2×12/15	0.35	2
EE2006018	EE2006118	2×12/19	0.45	2
EE3005019	EE2006119	2×15/12	0.35	2
EE2006020	EE2006120	2×15/15	0.45	2
EE2006021	EE2006121	2×18/10	0.35	2
EE2006022	EE2006122	2×18/13	0.45	2
EE2006023	EE2006123	2×24/7	0.35	2
EE2006024	EE2006124	2×24/9	0.45	2