

DR 型磁芯 (Drum Type Cores)

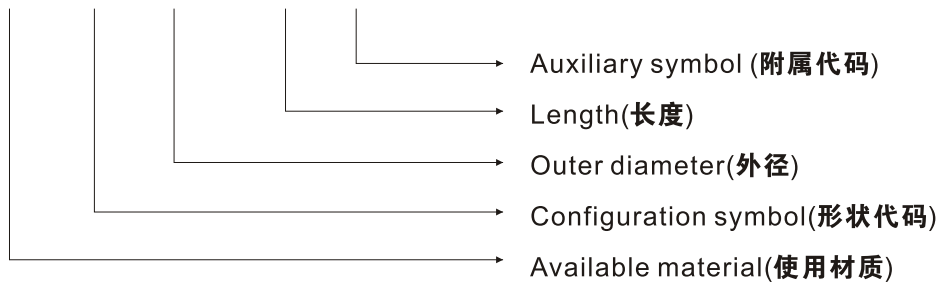
用途: IFT.发振线圈, 各种滤波器, 延迟线圈, 电感器。

APPLICATIONS: IFT.OSCILLATE COIL, VARIOUS FILTER,DELAYLINE, INDUCTOR.

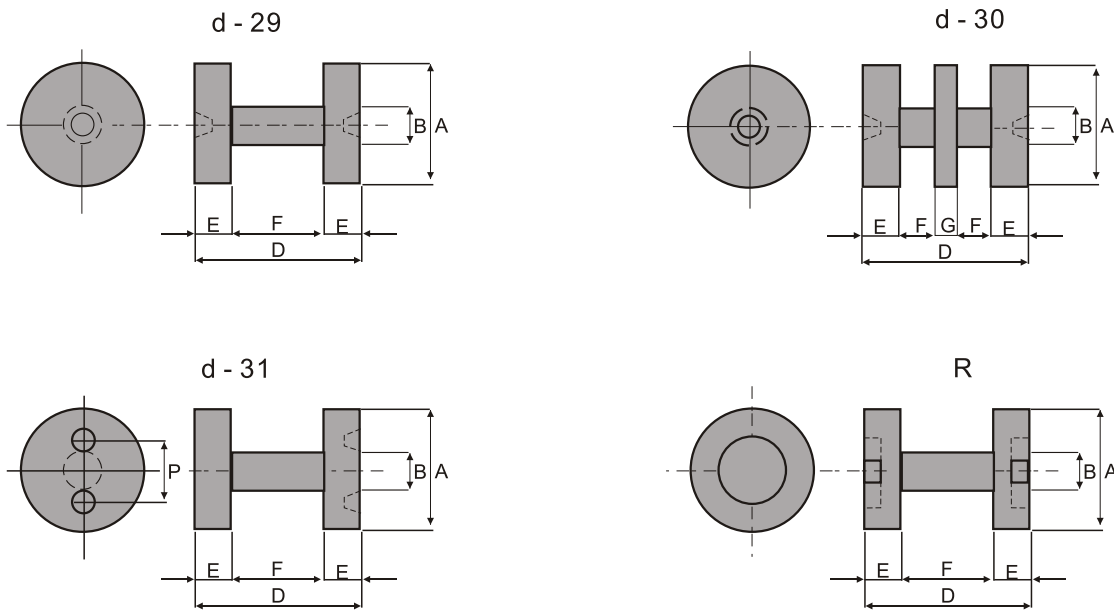
ORDERING CODE:

Example:

SD9 DR 2.3 × 4 d-29



CONFIGURATIONS:



UNIT: mm

品名 TIEM	A	B	D	E	F
DR3.5 × 3.5R	3.5 ± 0.15	1.5 ± 0.15	3.5 ± 0.2	1.30	0.9 ± 0.15
DR3.8 × 3.8R	3.8 ± 0.15	1.9 ± 0.15	3.8 ± 0.2	1.15	1.5 ± 0.15
DR4 × 3R	4.0 ± 0.15	1.9 ± 0.15	3.0 ± 0.2	1.05	0.9 ± 0.15
DR4 × 4R	4.0 ± 0.15	2.0 ± 0.15	4.0 ± 0.2	1.10	1.8 ± 0.15
DR4 × 5.5R	4.0 ± 0.15	2.0 ± 0.15	5.5 ± 0.2	1.75	2.0 ± 0.15
DR6 × 6R	6.0 ± 0.15	2.5 ± 0.15	6.0 ± 0.2	1.90	2.2 ± 0.15

DR 型磁芯 (Drum Type Cores)

UNIT:mm

品名 TIEM	A	B	D	E	F	P
DR1.8 × 2 ^{d-29}	1.8 ± 0.1	1.4 ± 0.10	2.0 ± 0.15	0.5	1.0 ± 0.10	
DR2 × 1.8 ^{d-29}	2.0 ± 0.1	1.5 ± 0.10	1.8 ± 0.15	0.5	0.8 ± 0.10	
DR2 × 2 ^{d-29}	2.0 ± 0.1	1.5 ± 0.15	2.0 ± 0.15	0.5	1.0 ± 0.15	
DR2.2 × 2.7 ^{d-29}	2.2 ± 0.1	1.2 ± 0.15	2.7 ± 0.15	0.6	1.5 ± 0.15	
DR2.3 × 3.4 ^{d-29}	2.3 ± 0.1	1.4 ± 0.15	3.4 ± 0.15	0.85	1.7 ± 0.15	
DR2.3 × 4 ^{d-29}	2.3 ± 0.1	1.5 ± 0.15	4.0 ± 0.15	1.1	1.8 ± 0.15	
DR3 × 5.5 ^{d-29}	3.0 ± 0.15	1.9 ± 0.15	5.5 ± 0.15	1.3	2.9 ± 0.15	
DR3 × 6 ^{d-29}	3.0 ± 0.15	2.0 ± 0.15	6.0 ± 0.15	1.5	3.0 ± 0.15	
DR3 × 8 ^{d-29}	3.0 ± 0.15	2.0 ± 0.15	8.0 ± 0.2	1.5	5.0 ± 0.15	
DR4 × 6 ^{d-29}	4.0 ± 0.15	2.0 ± 0.15	6.0 ± 0.2	1.5	3.0 ± 0.15	
DR4 × 8 ^{d-29}	4.0 ± 0.15	2.4 ± 0.15	8.0 ± 0.3	1.0	6.0 ± 0.15	
DR4.5 × 7 ^{d-29}	4.5 ± 0.15	1.9 ± 0.15	7.0 ± 0.3	2.5	2.0 ± 0.15	
DR5 × 8 ^{d-29}	5.0 ± 0.15	2.5 ± 0.15	8.0 ± 0.3	1.9	4.2 ± 0.15	
DR5 × 12.7 ^{d-29}	5.0 ± 0.15	3.0 ± 0.15	12.7 ± 0.4	2.35	8.0 ± 0.15	
DR6 × 8 ^{d-29}	6.0 ± 0.15	2.5 ± 0.15	8.0 ± 0.3	1.9	4.2 ± 0.15	
DR8 × 15 ^{d-29}	8.0 ± 0.15	4.0 ± 0.15	15.0 ± 0.3	3.0	9.0 ± 0.20	
DR9 × 12 ^{d-29}	9.0 ± 0.2	5.0 ± 0.15	12.0 ± 0.3	2.75	6.5 ± 0.15	
DR10 × 19 ^{d-29}	10.0 ± 0.2	5.1 ± 0.15	19.0 ± 0.5	2.5	14 ± 0.25	
DR12 × 24 ^{d-29}	12.0 ± 0.2	5.5 ± 0.15	24.0 ± 0.5	3.0	18 ± 0.25	
DR13 × 11 ^{d-29}	13.0 ± 0.2	6.0 ± 0.15	11.0 ± 0.5	2.5	6.0 ± 0.15	

UNIT:mm

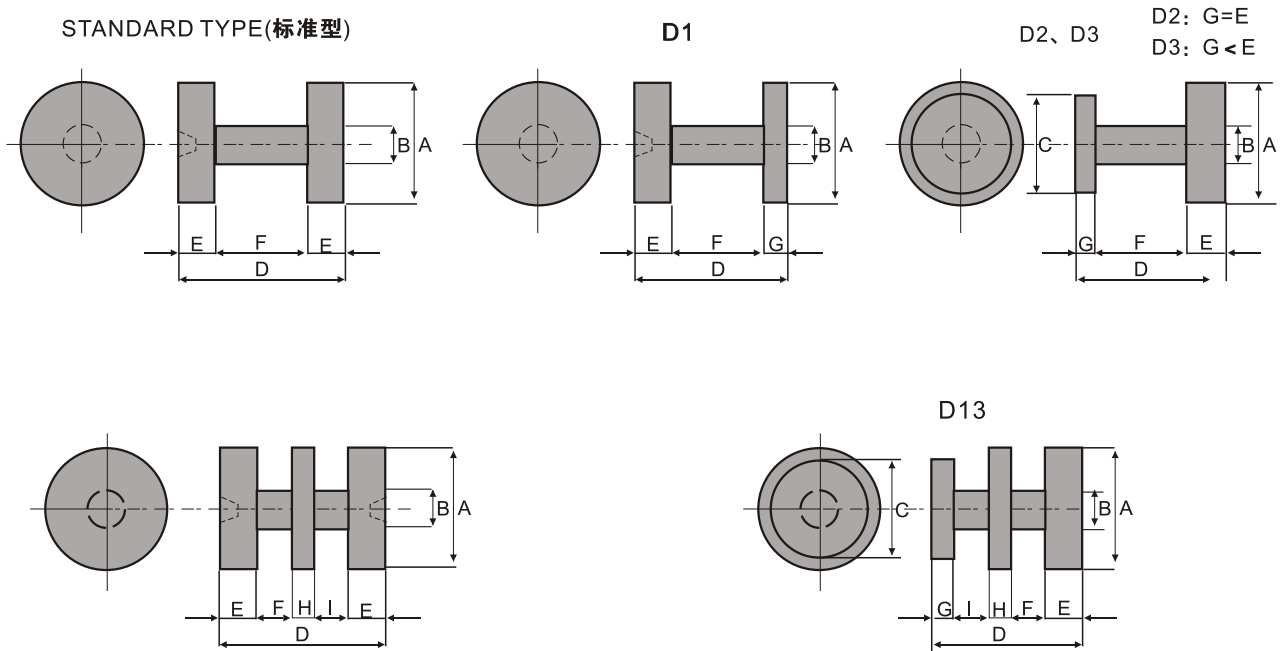
品名 TIEM	A	B	D	E	F	P
DR3 × 4 ^{d-31}	3.0 ± 0.15	1.9 ± 0.15	4.0 ± 0.2	1.1	1.8 ± 0.15	1.3 ± 0.2
DR4 × 5.5 ^{d-31}	4.0 ± 0.15	1.9 ± 0.15	5.5 ± 0.3	1.8	2.0 ± 0.15	2.0 ± 0.2
DR4 × 6 ^{d-31}	4.0 ± 0.15	1.9 ± 0.15	6.0 ± 0.3	1.5	3.0 ± 0.15	2.0 ± 0.2
DR6 × 8 ^{d-31}	6.0 ± 0.15	2.5 ± 0.15	8.0 ± 0.3	1.9	4.2 ± 0.15	3.0 ± 0.2
DR6 × 8.3 ^{d-31}	6.0 ± 0.15	3.0 ± 0.15	8.3 ± 0.3	2.05	4.2 ± 0.15	3.0 ± 0.2
DR6.5 × 7.5 ^{d-31}	6.5 ± 0.15	3.1 ± 0.15	7.5 ± 0.3	1.75	4.0 ± 0.2	3.2 ± 0.2
DR7 × 6 ^{d-31}	7.0 ± 0.15	3.5 ± 8.1	6.0 ⁺⁰ _{-0.15}	1.75	2.5 ± 0.1	4.9 ± 0.2
DR7.5 × 9 ^{d-31}	7.5 ± 0.2	3.5 ± 0.15	9.0 ± 0.2	2.0	5.0 ± 0.15	4.5 ± 0.2
DR8 × 9 ^{d-31}	8.0 ± 0.2	4.0 ± 0.15	9.0 ± 0.2	2.0	5.0 ± 0.15	4.85 ± 0.2
DR8 × 10 ^{d-31}	8.0 ± 0.2	4.5 ± 0.15	10.0 ± 0.3	2.5	5.0 ± 0.15	4.85 ± 0.2
DR9 × 12 ^{d-31}	9.0 ± 0.2	5.0 ± 0.15	12.0 ± 0.3	2.5	7.1 ± 0.2	5.6 ± 0.2
DR10 × 12 ^{d-31}	10.0 ± 0.2	3.7 ± 0.15	12.0 ± 0.4	2.75	6.5 ± 0.3	5.0 ± 0.2
DR12 × 15 ^{d-31}	12.0 ± 0.2	4.0 ± 0.15	15.0 ± 0.4	3	9.0 ± 0.3	6.0 ± 0.2
DR14 × 15 ^{d-31}	14.0 ± 0.15	5.0 ± 0.15	15.0 ± 0.3	3	9.0 ± 0.3	7.5 ± 0.3
DR14 × 19 ^{d-31}	14.0 ± 0.2	8.0 ± 0.15	19.0 ± 0.4	2.5	14.0 ± 0.2	7.5 ± 0.3
DR16 × 18 ^{d-31}	16.0 ± 0.15	9.5 ± 0.15	18.0 ± 0.3	2.5	13.0 ± 0.3	7.5 ± 0.3

* 上述未列之规格，可根据用户特殊要求设计制作。

* “B”、“D”、“F”尺寸可根据要求合理调整。

DR 型磁芯 (Drum Type Cores)

CONFIGURATIONS:

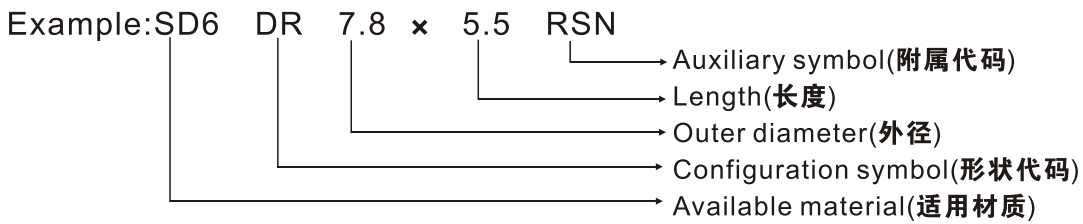


UNIT:mm

品名 ITEM	A	D	B	E	F	G	C
DR4 × 4.5	4.0 ⁺⁰ _{-0.2}	4.5 ± 0.2	2.0 ± 0.15	(1.1)	2.3 ± 0.15		
DR4 × 4.5D1	4.0 ^{+0.05} _{-0.15}	4.5 ± 0.2	1.8 ± 0.15	(1.5)	2.3 ^{+0.25} _{-0.05}	0.7 ± 0.15	
DR4 × 4.5D3	4.0 ^{+0.05} _{-0.15}	4.5 ± 0.2	2.0 ± 0.15	(1.5)	2.3 ^{+0.2} _{-0.1}	0.7 ± 0.15	3.4 ± 0.15
DR4 × 4.5D13	4.0 ^{+0.05} _{-0.20}	4.5 ± 0.2	2.0 ± 0.15	(1.3)	0.5 ± 0.1	1.5 ^{+0.2} _{-0.1}	3.5 ± 0.15
DR4 × 4.5D28	4.0 ± 0.1	4.5 ± 0.2	2.0 ± 0.15	(1.1)	0.9 ± 0.1		
DR4 × 4D1	4.0 ⁺⁰ _{-0.2}	4.0 ± 0.2	2.0 ± 0.15	(1.3)	2.0 ^{+0.15} _{-0.05}	0.7 ± 0.15	
DR4 × 4D3	4.0 ⁺⁰ _{-0.2}	4.0 ± 0.2	2.2 ± 0.15	(1.3)	2.0 ± 0.1	0.7 ± 0.15	3.4 ± 0.15
DR4 × 4D13	4.0 ⁺⁰ _{-0.2}	4.0 ± 0.2	2.2 ± 0.15	(1.0)	0.5 ± 0.1	0.7 ^{+0.7} _{-0.1}	3.3 ± 0.15
DR3 × 3.8D1	3.0 ^{+0.05} _{-0.15}	3.8 ± 0.2	1.25 ± 0.2	(1.1)	2.0 ± 0.15	0.75 ± 0.15	
DR3 × 3.8D3	3.0 ^{+0.05} _{-0.15}	3.8 ± 0.2	1.4 ± 0.1	(1.3)	2.0 ^{+0.2} _{-0.1}	0.5 ± 0.15	2.2 ± 0.1
DR3 × 3.8D13	3.0 ^{+0.05} _{-0.15}	3.8 ± 0.2	1.4 ± 0.1	(1.2)	0.3 ^{+0.2} _{-0.1}	0.35 ± 0.1	2.2 ± 0.1
DR3 × 4	3.0 ^{+0.05} _{-0.05}	4.0 ± 0.2	1.5 ± 0.1	(0.9)	2.2 ± 0.05		
DR3.6 × 1.7	3.6 ⁺⁰ _{-0.15}	1.7 ± 0.15	1.3 ± 0.1 1.7 ± 0.1	(0.45)	0.8 ± 0.1		
DR4 × 2.2	4.0 ⁺⁰ _{-0.15}	2.2 ± 0.15	1.8 ^{+0.05} _{-0.15} 2.2 ± 0.15	(0.6)	1.0 ± 0.1		
DR3 × 1.9D2	3.0 ⁺⁰ _{-0.15}	1.9 ± 0.15	1.5 ± 0.1	(0.5)	0.9 ± 0.1	0.5 ± 0.15	2.6 ± 0.1
DR3 × 2.1	3.0 ⁺⁰ _{-0.15}	2.1 ± 0.15	1.0 ± 0.1	(0.5)	1.1 ± 0.1		
DR5.8 × 7D1	5.8 ± 0.15	7.0 ± 0.2	2.2 ± 0.15	(1.0)	4.8 ± 0.2	0.9 ± 0.15	
DR9 × 3.4	9.0 ⁺⁰ _{-0.7}	3.35 ± 0.15	3.5 ± 0.2	(0.9)	1.6 ± 0.1		

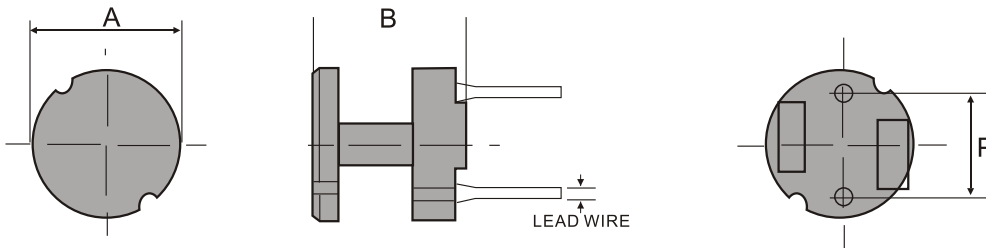
DR 型磁芯 (Drum Type Cores)

ORDERING CODE:



CONFIGURATIONS:

DRww SYMBOL "RSN"



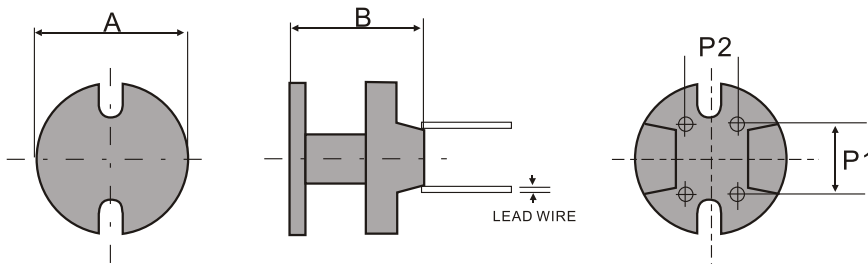
DIMENSION OF MAIN PRODUCTIONS:

UNIT:mm

Ordering code	A	B	P
DR7.8×5.5RSN	7.8±0.15	5.5MAX	5
DR7.8×7.5RSN	7.8±0.15	7.5MAX	5
DR7.8×9.5RSN	7.8±0.15	9.5MAX	5

CONFIGURATIONS:

DR4w SYMBOL "RSN"



DIMENSION OF MAIN PRODUCTIONS:

UNIT:mm

Ordering code	A	B	P1	P2
DR4w 10×6RSN	10±0.2	6MAX	5	4
DR4w 10×8RSN	10±0.2	8MAX	5	4
DR4w 10×10RSN	10±0.2	10MAX	5	4