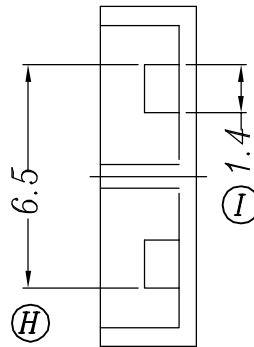
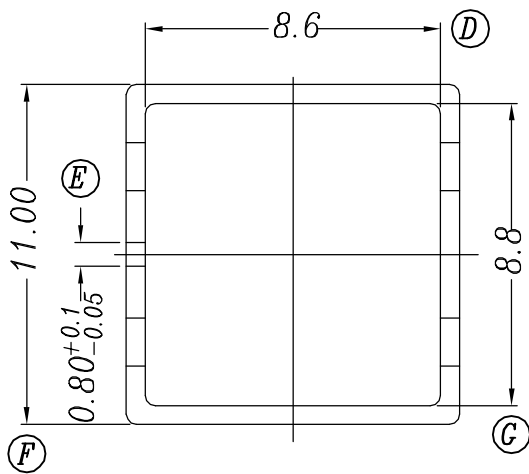
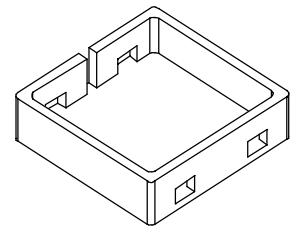
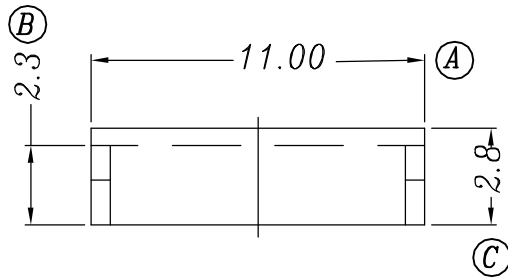


PART SPY-1202



| REV | REVISION RECORD | DATE | REV | REVISION RECORD | DATE |
|-----|-----------------|------|-----|-----------------|------|
| A | | | C | | |
| B | | | D | | |

| NAME | EF12.6 COVER | MATERIAL | PHENOLIC | SCALE | 2/1 | ANGLE | ±1° |
|---|--------------|---------------|----------|-----------------|-----|-------|-----|
| DRAWING NO. | GS-069 | PIN MATERIAL | CP WIRE | UNIT | m/m | REV | A |
| TOLERANCE OF PIN PITCH ±0.20 | | | | <h1>GS-069</h1> | | | |
| PIN TENSION LOAD kg MN | | UL REC: 94V-0 | | | | | |
| TOLERANCE: 0<L≤4: ±0.2 4<L≤16: ±0.3 16<L≤63: ±0.4 | | | | | | | |