

SMD Line Filter

ASTC-4H Series



RoHS/RoHS II compliant



14.0 x 14.0 x 6.4mm

FEATURES:

- Can be used as single, coupled inductors or 1:1 transformers that provide isolation between two windings
- 4 terminal package designed for reliable PCB Mounting
- More flexible inductance combination implemented by series or parallel connections

Operating Temperature: -25°C to +85°C

Storage Temperature: -25°C to +85°C

APPLICATIONS:

- Computer and portable power devices
- LED monitors, DVD players
- DC-DC converters
- Buck, boost, and forward converters
- Noise filtering for power lines

ELECTRICAL SPECIFICATIONS:

Part Number	L	DCR Typ	I _{DC}	I _{rms}
ASTC-4H- Inductance Code	± 20% (μH)	Per Winding (mΩ)	Per Winding (A)	Per Winding (A)
ASTC-4H-1R4	1.39	5.2	10.0	9.23
ASTC-4H-2R2	2.18	6.3	7.00	6.90
ASTC-4H-4R3	4.26	8.5	5.50	5.40
ASTC-4H-8R7	8.70	15	3.80	3.70
ASTC-4H-100	10.5	20	3.50	3.40
ASTC-4H-150	14.7	29	2.80	2.70
ASTC-4H-200	19.6	34	2.40	2.30
ASTC-4H-250	25.1	48	2.20	2.10
ASTC-4H-300	29.6	59	2.00	1.90
ASTC-4H-350	34.8	71	1.80	1.70
ASTC-4H-500	50.1	104	1.50	1.40
ASTC-4H-680	68	153	1.20	1.10
ASTC-4H-101	101	235	1.10	1.00
ASTC-4H-151	154	365	1.07	1.00
ASTC-4H-201	200	521	0.80	0.70
ASTC-4H-301	303	787	0.60	0.50
ASTC-4H-471	470	800	0.50	0.40
ASTC-4H-102	1000	1500	0.25	0.25

Test Conditions:

1. Turns Ratio(±2%): 1:1 (1-2:3-4)
2. HI-POT : 300Vrms (1-2 to 3-4)
3. I_{DC} : Based on inductance change ($\Delta L/L_0 : \leq -30\%$)
4. I_{RMS} : ΔT of 40°C temperature increase max.
5. Test Freq: 100KHz, 0.25Vrms (1-2/3-4)
6. Max DCR is DCR Typ + 15%
7. Polarity: 1 and 4 are in phase

GOLDSTONE
M A G N E T I C S

SHAANXI GOLD-STONE ELECTRONICS CO.,LTD

Web:www.gsmagnetics.com Tel:029-85401274 Fax:029-85401274 E-mail:sales@gsmagnetics.com

SMD Line Filter

ASTC-4H Series



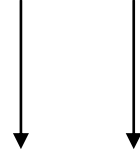
RoHS/RoHS II compliant



14.0 x 14.0 x 6.4mm

PART NUMBER IDENTIFICATION:

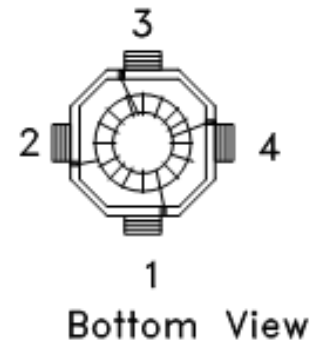
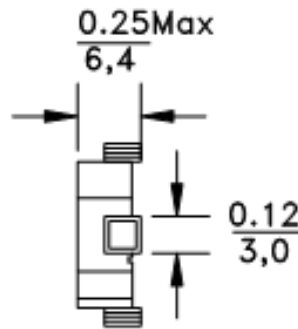
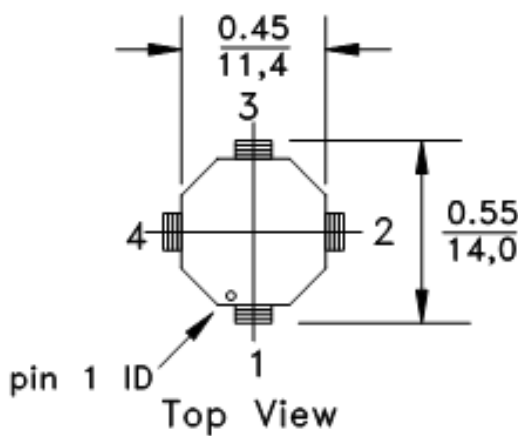
ASTC-4H - -



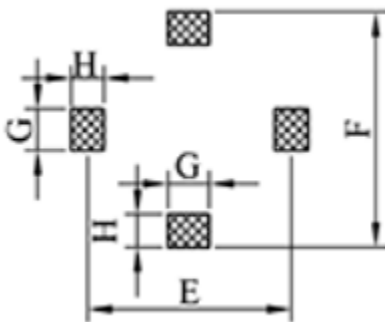
Inductance Code
Please refer to Electrical Spec Table

Packaging
T: 500pcs/reel

OUTLINE DIMENSION:



Recommend Land Pattern



E ref	F ref	G ref	H ref
12.50	12.50	4.06	3.05

Dimensions: inch/mm

GOLDSTONE
MAGNETICS

SHAANXI GOLD-STONE ELECTRONICS CO.,LTD

Web: www.gsmagnetics.com Tel:029-85401274 Fax:029-85401274 E-mail: sales@gsmagnetics.com

SMD Line Filter

ASTC-4H Series

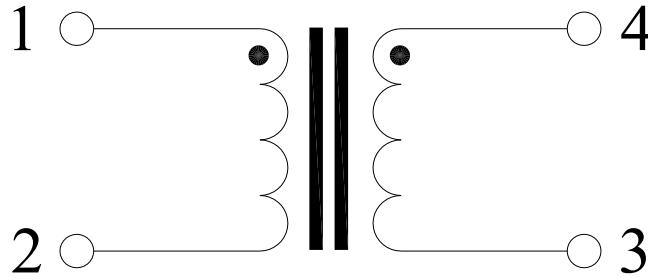


RoHS/RoHS II compliant

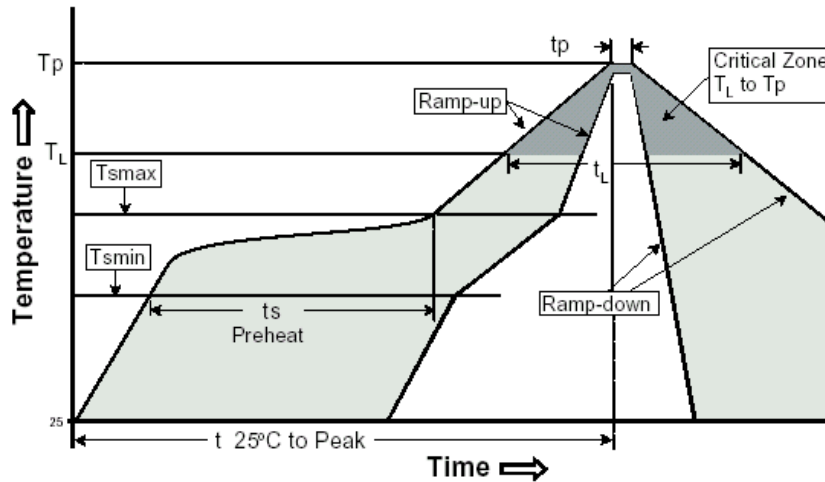


14.0 x 14.0 x 6.4mm

SCHEMATICS:



REFLOW PROFILE:



Profile Feature	Pb-Free Assembly
Average Ramp-Up Rate ($T_{s\ max}$ to T_p)	3°C /second max.
Preheat -Temperature Min ($T_{s\ min}$) -Temperature Max ($T_{s\ max}$) -Time ($t_{s\ min}$ to $t_{s\ max}$)	150°C 200°C 60-180 seconds
Time maintained above: -Temperature (T_l) -Time (t_l)	217°C 60-150 seconds
Peak/Classification Temperature (T_p)	245±5°C
Time within 5°C of actual Peak Temperature (t_p)	20-40 seconds
Ramp-Down Rate	6°C /seconds max
Time 25°C to Peak Temperature	6 minutes max.

GOLDSTONE
MAGNETICS

SHAANXI GOLD-STONE ELECTRONICS CO.,LTD

Web: www.gsmagnetics.com Tel:029-85401274 Fax:029-85401274 E-mail:sales@gsmagnetics.com

SMD Line Filter

ASTC-4H Series



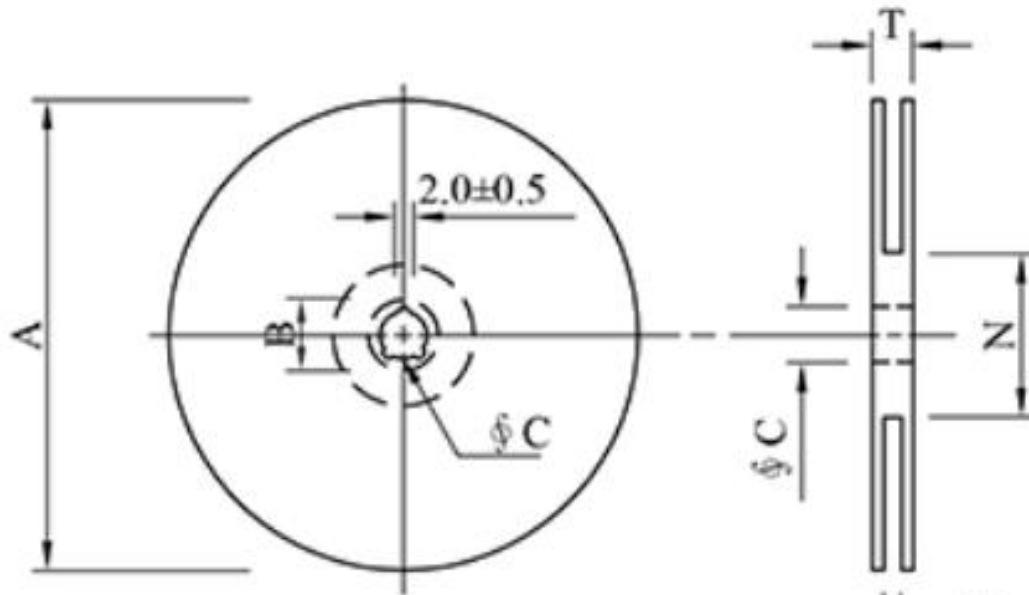
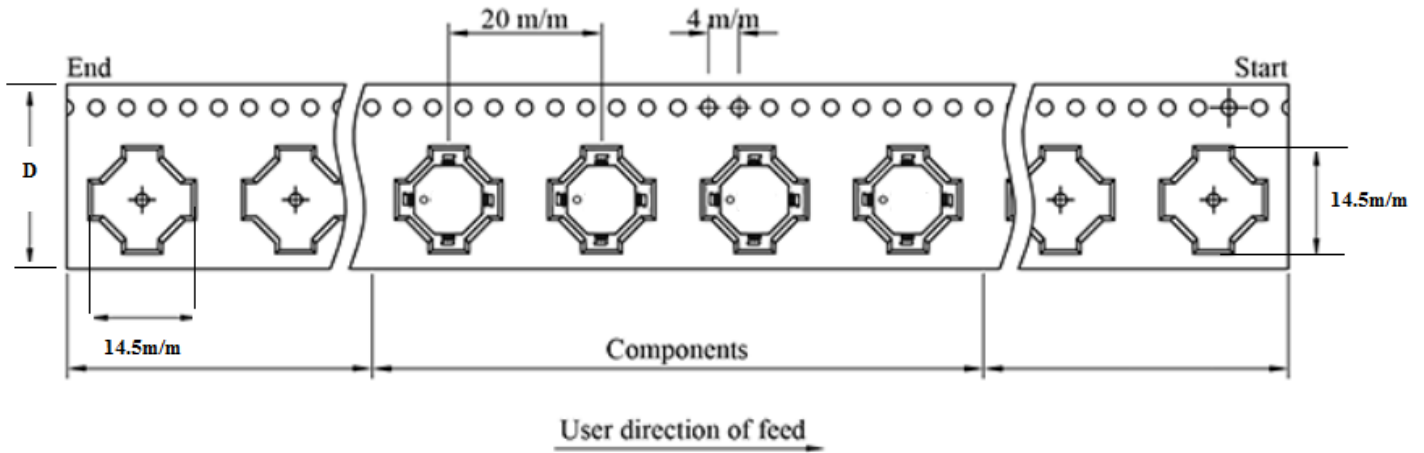
RoHS/RoHS II compliant



14.0 x 14.0 x 6.4mm

TAPE & REEL:

T= tape and reel (500pcs/reel)



A	B	C	D	G	N	T
330	21±0.8	13±0.5	24	26	60	30.4

Dimensions: mm

GOLDSTONE
MAGNETICS

SHAANXI GOLD-STONE ELECTRONICS CO.,LTD

Web: www.gsmagnetics.com Tel:029-85401274 Fax:029-85401274 E-mail:sales@gsmagnetics.com